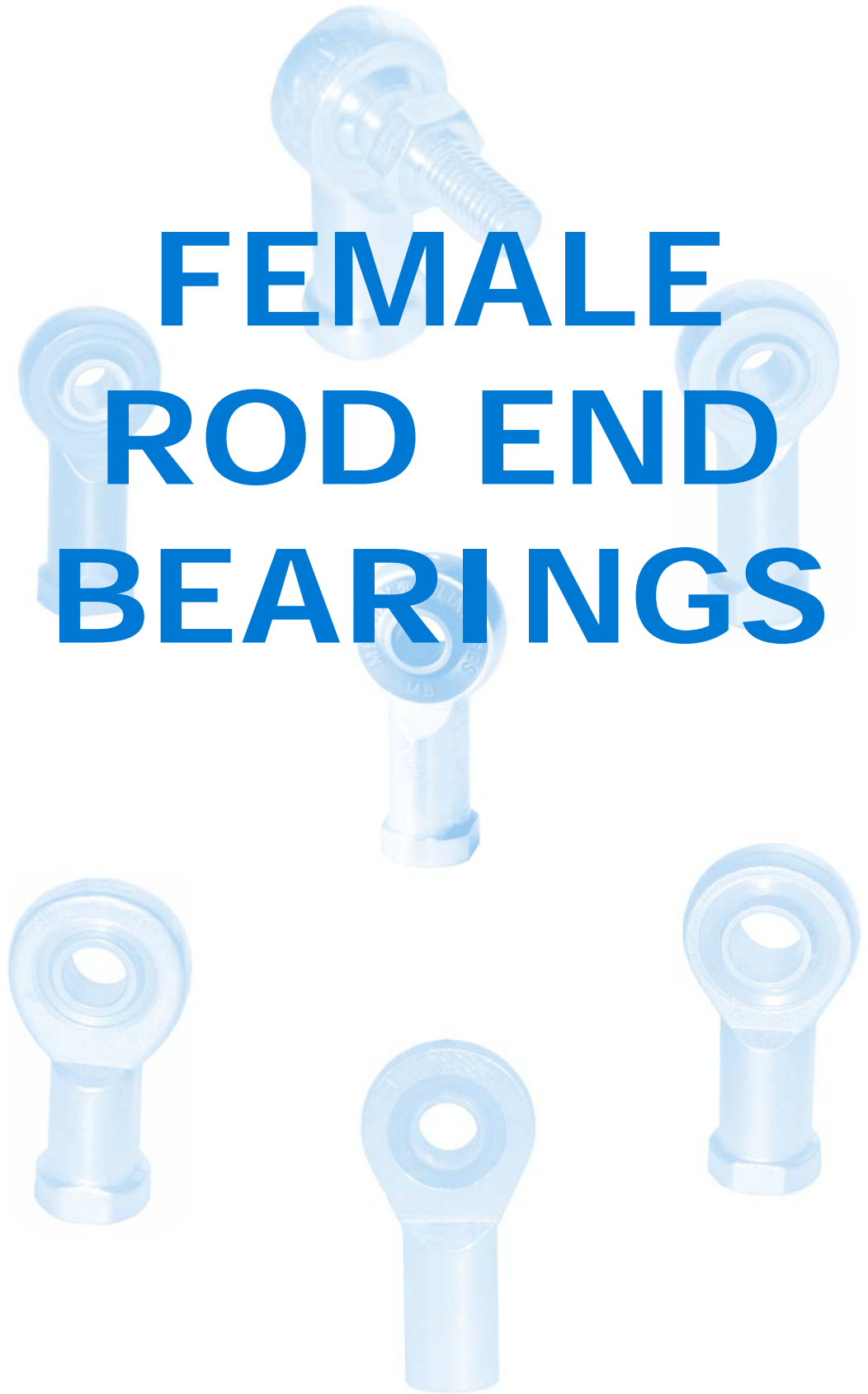


MEDWAY®

**FEMALE
ROD END
BEARINGS**



MEDWAY POWER TRANSMISSION LTD

M.P.T. HOUSE BRUNSWICK ROAD COBBS WOOD INDUSTRIAL ESTATE ASHFORD KENT TN23 1EL U.K.

☎ +44 (0) 1233 663340 📠 +44 (0) 1233 664440 ✉ sales@medwaypt.co.uk 🌐 www.medwaypt.co.uk

FP - SERIES | FPM - FPI - FPMS - FPIS - FPM-SS - FPI-SS

PAGE 1

Description

FP - Series is our 3-piece standard range of self lubricating general purpose female rod ends suitable for light to medium heavy industrial/mechanical load applications requiring low friction and good wear resistance, available in both metric & imperial bore & thread sizes. They have excellent moisture resistance and require no maintenance and have a wide operating temperature range.

Materials

Housing: Steel 230M07PB Zinc plated white & blue passivate (silver/clear) & Stainless steel 303C

Race: GR-Nylon LV-3H

Ball: Bearing Steel 100Cr6, case hardened & electro-less Nickel plated & stainless steel 440C & *SAE660

Stud: Steel 230M07PB Zinc plated white & blue passivate (silver/clear) & Stainless steel 303C

Features

Metric & imperial thread & bore sizes
 Low friction
 Self-lubricating
 Good wear resistance
 Excellent moisture resistance
 No maintenance
 Studded option

Possible Applications

Light to medium/heavy industrial/mechanical applications
 Construction Equipment
 Agricultural Equipment
 Recreational vehicles
 Precision equipment
 Linear movement

Temperature Range

-30°C to +170°C

Specification

ELV & RoHS compliant



FB - SERIES | FBM - FBI - FBMS - FBIS - FBM-SS - FBI-SS

PAGE 6

Description

FB - Series is our 4-piece standard range of maintenance required general purpose female rod ends suitable for medium heavy industrial/mechanical load applications requiring low friction and good wear resistance, available in both metric & imperial bore & thread sizes. An oil impregnated sintered bronze race is also available for some sizes or if quantity justifies production, suitable for high precision motion transfer applications and extended wear life.

Material Specifications

Housing: Steel 230M07PB Zinc plated white & blue passivate (silver/clear) & Stainless steel 303C

Race: Bronze SAE660 & Oil impregnated sintered bronze

Ball: Bearing Steel 100Cr6, case hardened & electro-less Nickel plated & Stainless steel 440C

Stud: Steel 230M07PB Zinc plated white & blue passivate (silver/clear) & Stainless steel 303C

Features

Metric & imperial thread & bore sizes
 Low friction
 Self-lubricating option available
 Extended wear life
 Maintenance required
 Studded option

Possible Applications

Medium/heavy industrial/mechanical applications
 Construction Equipment
 Agricultural Equipment
 Recreational vehicles
 Precision equipment

Temperature Range

-34 °C to +149 °C

Specification

ELV & RoHS compliant



FS - SERIES | FSM - FSI - FSMS - FSIS - FSM-SS - FSI-SS

PAGE 11

Description

FS - Series is our 3 piece steel on steel range of general purpose female rod ends incorporating a thin PTFE fabric between the ball and the liner material, suitable for high shock loads and medium to heavy industrial/mechanical load applications requiring low friction, available in both metric and imperial bore and thread sizes, they do not require maintenance.

Materials

Housing: Forged steel 080M46 Zinc plated white & blue passivate (silver/clear) & forged stainless steel 304C

Inner ring: Steel 080M46

Liner: PTFE fabric

Ball: Bearing Steel 100Cr6, case hardened & electro-less Nickel plated & Stainless steel 440C

Stud: Steel 230M07PB Zinc plated white & blue passivate (silver/clear) & Stainless steel 303C

Features

Metric & imperial thread & bore sizes
 Low friction
 High shock loads
 Extended wear life
 No maintenance
 Studded option

Possible Applications

Medium/heavy industrial/mechanical applications
 Construction Equipment
 Agricultural Equipment
 Recreational vehicles
 High precision motion control

Temperature Range

-53°C to +121°C

Specification

ELV & RoHS compliant



HM - SERIES

HM - SERIES | HMF - HIF - HMFS - HIFS - HMFSS - HIFSS - HMF-SS - HIF-SS

PAGE 14

Description

FM - Series is our 3 piece unique Internationally patented range of female rod ends incorporating a polyurethane bearing race that provides ultra smooth operation. A Nitrotec surface protected ball with a PTFE lubricant provide superior shock load and extended wear properties combined with excellent chemical and corrosion resistance. The unique innovative captive body design prevents detachment through excessive axial loads. For optimum performance ensure that the rod end is mounted with the moulded lettering facing away from the direction of pull.

Material Specifications

Housing: Steel 230M07PB Zinc plated white & blue passivate (silver/clear) & Stainless steel 303C
 Race: Polyurethane
 Ball: 230M07PB Nitrotec finish & Stainless steel 440C
 Stud: Steel 230M07PB Zinc plated white & blue passivate (silver/clear) & Stainless steel 303C
 Lubricant: Uniflor oil

Features

Metric & imperial thread & bore sizes
 Ultra low friction
 High shock loads
 Extended wear life
 No maintenance
 Studded option
 Safety features

Temperature Range

-30°C to +170°C

Possible Applications

Light to medium industrial/mechanical applications
 Construction Equipment
 Agricultural Equipment
 Recreational vehicles
 High precision motion control

Specification

ELV & RoHS compliant



RM - SERIES

RM - SERIES | RMF - RMFS - RMF-SS

PAGE 18

Description

RM - Series is our 3-piece thin series range of female rod ends that have been specifically designed for use with other linkage components such as Clevises etc, the RM-series design allows the rod ends head and ball to neatly slide inside of its mating clevises fork end, ideal for fitting to pre-assembled linkages. Metric and imperial bore and thread sizes are available. Standard product is supplied with a frictional load on the bearing ball, recommended for applications where misalignment may arise in an assembly.

Material Specifications

Housing: Steel 230M07PB Zinc plated white & blue passivate (silver/clear) & Stainless steel 303C
 Race: Nylon 66 glass filled with Molybdenum disulphide
 Ball: Bearing Steel 100Cr6, case hardened & electro-less Nickel plated & Stainless steel 440C
 Stud: Steel 230M07PB Zinc plated white & blue passivate (silver/clear) & Stainless steel 303C
 Lubricant: Uniflor oil

Features

Metric thread & bore sizes
 Friction load
 High shock loads
 Thin section
 No maintenance
 Studded option

Temperature Range

-30 °C to +120 °C

Possible Applications

Light to medium industrial/mechanical applications
 Construction Equipment
 Agricultural Equipment
 Recreational vehicles

Specification

ELV & RoHS compliant



GIR - SERIES

GIR

PAGE 21

Description

GIR - Series is our 3 piece large bore range of female rod ends, incorporating a 2 piece spherical bearing with a PTFE liner that is staked into the forged steel housing. Suitable for high shock loads and medium to heavy industrial/mechanical load applications requiring low friction, available in both metric and imperial bore and thread sizes and they require no maintenance.

Material Specifications

Housing: Forged steel 080M46 Zinc plated white & blue passivate (silver/clear)
 Inner ring: Steel 080M46
 Liner: PTFE fabric
 Ball: Bearing Steel 100Cr6, case hardened & electro-less Nickel plated & Stainless steel 440C

Features

Metric bore & thread sizes
 Low friction
 High shock loads
 Extended wear life
 No maintenance
 Large sizes

Temperature Range

-30°C to +120°C

Possible Applications

Medium to heavy industrial/mechanical applications
 Construction Equipment
 Agricultural Equipment

Specification

ELV & RoHS compliant



AL - SERIES | AL

PAGE 22

Description

AL-Series is our 3 piece Aluminium light weight range of self lubricating general purpose female rod ends suitable for light industrial/mechanical load applications requiring low friction, with good wear resistance and available in metric bore and thread sizes. They have excellent moisture resistance and require no maintenance.

Materials

Housing: Aluminium A6026, black anodised

Race: GR-Nylon LV-3H

Ball: Bearing Steel 100Cr6, case hardened & electro-less Nickel plated

Features

Metric bore & thread sizes
Low friction
Self-lubricating
Good wear resistance
Excellent moisture resistance
No maintenance
Light weight

Possible Applications

Light industrial/mechanical applications
Weight restricted applications
Linear movement sensors

Temperature Range

-30°C to +170°C

Specification

ELV & RoHS compliant



GS - SERIES | GS - SA

PAGE 23

Description

GS - Series is our 3-piece standard range of self lubricating general purpose female rod ends suitable for light to medium heavy industrial/mechanical load applications requiring low friction and good wear resistance. They have excellent moisture resistance, require no maintenance and have a wide operating temperature range. Also they are design with a counter bore for use with Gas Struts and Linear Movement Applications.

Materials

Housing: Steel 230M07PB Zinc plated white & blue passivate (silver/clear) & Stainless steel 303C

Race: GR-Nylon LV-3H

Ball: Bearing Steel 100Cr6, case hardened & electro-less Nickel plated & stainless steel 440C & *SAE660

Stud: Steel 230M07PB Zinc plated white & blue passivate (silver/clear) & Stainless steel 303C

Features

Metric & imperial thread & bore sizes
Low friction
Self-lubricating
Good wear resistance
Excellent moisture resistance
No maintenance
Studded option

Possible Applications

Light to medium/heavy industrial/mechanical applications
Gas Struts
Agricultural Equipment
Recreational vehicles
Precision equipment
Linear movement

Temperature Range

-30°C to +170°C

Specification

ELV & RoHS compliant



NOTES |

All Metric rod ends are based on DIN648 and all imperial rod ends are based on SAE spec J1120.

40% of our total production is purpose made to suit individual customer requirements, therefore please do not hesitate to contact us for any item not shown or if you have a specific application, our engineering team are available to help you.

All of the above catalogue female rod end bearings are ELV & RoHS compliant, all housings/bodies are Zinc plated with white & blue passivate (Silver/Clear) specification suffix "F39" unless otherwise stated to give a surface protection of 96 hours salt spray, other plating options are available but may not be ELV & RoHS compliant, please refer to our "Plating Options" section for full details and availability.

Every care has been taken to ensure the accuracy of the information contained in the following pages of this publication. No liability can be accepted for any loss or damage whether direct or indirect or consequential arising out of the use of the information contained herein. The stated load rating and design options are provided as an indication only and customers should test the suitability of all products to their own satisfaction, applications vary immensely therefore samples are available for this purpose.

FPM - SERIES MAINTENANCE FREE ROD ENDS WITH FEMALE THREAD

Materials

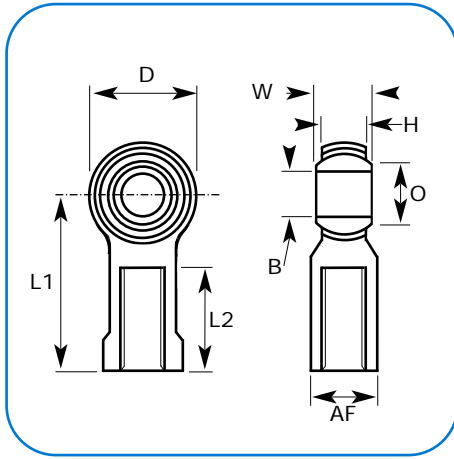
Housing: Steel 230M07PB, Zinc plated white & blue passivate (silver/clear).

Race: GR-Nylon, LV-3H.

Ball: Bearing Steel 100Cr6, case hardened & electro-less Nickel plated.

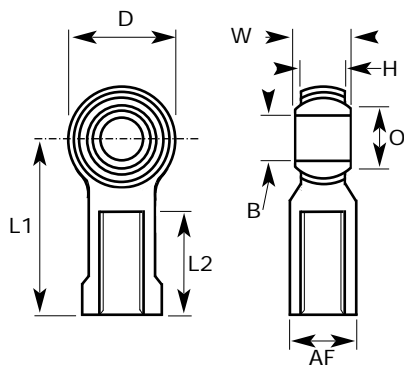
Specification

ELV & RoHS Compliant.



METRIC

PART NO. RIGHT HAND	PART NO. LEFT HAND	BORE SIZE	THREAD	W	H	D	L1	L2	O	AF	STATIC LOAD RATING (NEWTONS) RADIAL
FP-M03	FPL-M03	3	M3X0.50	6	4.50	12	21	10	5.20	6.5	3,040
FP-M04-3	FPL-M04-3	3	M4X0.70	7	5.00	14	24	12	6.30	8.0	4,060
FP-M04	FPL-M04	4	M4X0.70	7	5.00	14	24	12	6.30	8.0	4,060
FP-M05-4	FPL-M05-4	4	M5X0.80	8	6.00	16	27	14	7.50	9.0	5,340
FP-M05	FPL-M05	5	M5X0.80	8	6.00	16	27	14	7.50	9.0	5,340
FP-M06-5	FPL-M06-5	5	M6X1.00	9	6.75	18	30	14	9.30	11.0	7,720
FP-M06	FPL-M06	6	M6X1.00	9	6.75	18	30	14	9.30	11.0	7,720
FP-M08-6	FPL-M08-6	6	M8X1.25	12	9.00	22	36	17	10.40	14.0	12,775
FP-M08-6C	FPL-M08-6C	6	M8X1.00	12	9.00	22	36	17	10.40	14.0	12,775
FP-M08	FPL-M08	8	M8X1.25	12	9.00	22	36	17	10.40	14.0	12,775
FP-M08C	FPL-M08C	8	M8X1.00	12	9.00	22	36	17	10.40	14.0	12,775
FP-M10-8	FPL-M10-8	8	M10X1.50	14	10.50	26	43	21	12.90	17.0	16,960
FP-M10-8C	FPL-M10-8C	8	M10X1.25	14	10.50	26	43	21	12.90	17.0	16,960
FP-M10	FPL-M10	10	M10X1.50	14	10.50	26	43	21	12.90	17.0	16,960
FP-M10C	FPL-M10C	10	M10X1.25	14	10.50	26	43	21	12.90	17.0	16,960
FP-M12-10	FPL-M12-10	10	M12X1.75	16	12.00	30	50	24	15.40	19.0	22,900
FP-M12-10C	FPL-M12-10C	10	M12X1.25	16	12.00	30	50	24	15.40	19.0	22,900
FP-M12	FPL-M12	12	M12X1.75	16	12.00	30	50	24	15.40	19.0	22,900
FP-M12C	FPL-M12C	12	M12X1.25	16	12.00	30	50	24	15.40	19.0	22,900
FP-M14-12	FPL-M14-12	12	M14X2.00	19	13.50	34	57	27	16.80	22.0	28,950
FP-M14-12C	FPL-M14-12C	12	M14X1.50	19	13.50	34	57	27	16.80	22.0	28,950
FP-M14	FPL-M14	14	M14X2.00	19	13.50	34	57	27	16.80	22.0	28,950
FP-M14C	FPL-M14C	14	M14X1.50	19	13.50	34	57	27	16.80	22.0	28,950
FP-M16-14	FPL-M16-14	14	M16X2.00	21	15.00	38	64	33	19.30	24.0	37,130
FP-M16-14C	FPL-M16-14C	14	M16X1.50	21	15.00	38	64	33	19.30	24.0	37,130
FP-M16	FPL-M16	16	M16X2.00	21	15.00	38	64	33	19.30	24.0	37,130
FP-M16C	FPL-M16C	16	M16X1.50	21	15.00	38	64	33	19.30	24.0	37,130
FP-M18-16C	FPL-M18-16C	16	M18X1.50	23	16.50	46	71	36	21.80	27.0	45,730
FP-M18C	FPL-M18C	18	M18X1.50	23	16.50	46	71	36	21.80	27.0	45,730
FP-M20-18	FPL-M20-18	18	M20X2.50	25	18.00	50	77	40	24.50	30.0	55,240
FP-M20-18C	FPL-M20-18C	18	M20X1.50	25	18.00	50	77	40	24.50	30.0	55,240
FP-M20	FPL-M20	20	M20X2.50	25	18.00	50	77	40	24.50	30.0	55,240
FP-M20C	FPL-M20C	20	M20X1.50	25	18.00	50	77	40	24.50	30.0	55,240
FP-M22	FPL-M22	22	M22X1.50	28	20.00	54	84	43	25.80	32.0	57,420
FP-M25	FPL-M25	25	M24X2.00	31	22.00	60	94	48	29.60	36.0	67,140



FPI - SERIES MAINTENANCE FREE ROD ENDS WITH FEMALE THREAD

Materials

Housing: Steel 230M07PB, Zinc plated white & blue passivate (silver/clear).

Race: GR-Nylon, LV-3H.

Ball: Bearing Steel 100Cr6, case hardened & electro-less Nickel plated.

Specification

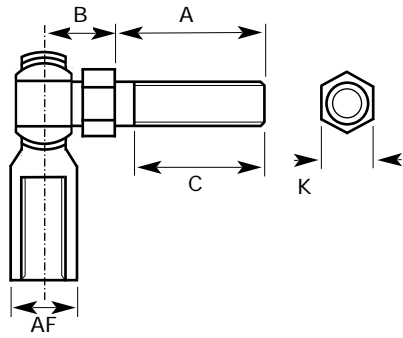
ELV & RoHS Compliant.



IMPERIAL

PART NO. RIGHT HAND	PART NO. LEFT HAND	BORE SIZE	THREAD	W	H	D	L1	L2	O	AF	STATIC LOAD RATING (NEWTONS) RADIAL
FP-03	FPL-03	3/16	10-32 UNF	0.312	0.250	0.625	1.062	0.562	0.306	0.312	5,340
FP-04-3	FPL-04-3	3/16	1/4 UNF	0.375	0.281	0.750	1.312	0.750	0.354	0.375	8,450
FP-04-3F	FPL-04-3F	3/16	1/4 BSF	0.375	0.281	0.750	1.312	0.750	0.354	0.375	8,450
FP-04	FPL-04	1/4	1/4 UNF	0.375	0.281	0.750	1.312	0.750	0.354	0.375	8,450
FP-04F	FPL-04F	1/4	1/4 BSF	0.375	0.281	0.750	1.312	0.750	0.354	0.375	8,450
FP-05-4	FPL-05-4	1/4	5/16 UNF	0.437	0.344	0.875	1.375	0.750	0.447	0.437	12,010
FP-05-4F	FPL-05-4F	1/4	5/16 BSF	0.437	0.344	0.875	1.375	0.750	0.447	0.437	12,010
FP-05	FPL-05	5/16	5/16 UNF	0.437	0.344	0.875	1.375	0.750	0.447	0.437	12,010
FP-05F	FPL-05F	5/16	5/16 BSF	0.437	0.344	0.875	1.375	0.750	0.447	0.437	12,010
FP-06-5	FPL-06-5	5/16	3/8 UNF	0.500	0.406	1.000	1.625	0.932	0.516	0.562	16,900
FP-06-5F	FPL-06-5F	5/16	3/8 BSF	0.500	0.406	1.000	1.625	0.932	0.516	0.562	16,900
FP-06	FPL-06	3/8	3/8 UNF	0.500	0.406	1.000	1.625	0.932	0.516	0.562	16,900
FP-06F	FPL-06F	3/8	3/8 BSF	0.500	0.406	1.000	1.625	0.932	0.516	0.562	16,900
FP-07-6	FPL-07-6	3/8	7/16 UNF	0.562	0.437	1.125	1.812	1.062	0.586	0.625	19,750
FP-07-6F	FPL-07-6F	3/8	7/16 BSF	0.562	0.437	1.125	1.812	1.062	0.586	0.625	19,750
FP-07	FPL-07	7/16	7/16 UNF	0.562	0.437	1.125	1.812	1.062	0.586	0.625	19,750
FP-07F	FPL-07F	7/16	7/16 BSF	0.562	0.437	1.125	1.812	1.062	0.586	0.625	19,750
FP-08-7	FPL-08-7	7/16	1/2 UNF	0.652	0.500	1.312	2.125	1.187	0.700	0.750	28,900
FP-08-7F	FPL-08-7F	7/16	1/2 BSF	0.652	0.500	1.312	2.125	1.187	0.700	0.750	28,900
FP-08	FPL-08	1/2	1/2 UNF	0.652	0.500	1.312	2.125	1.187	0.700	0.750	28,900
FP-08F	FPL-08F	1/2	1/2 BSF	0.652	0.500	1.312	2.125	1.187	0.700	0.750	28,900
FP-10-8	FPL-10-8	1/2	5/8 UNF	0.750	0.562	1.500	2.500	1.500	0.811	0.875	32,000
FP-10-8F	FPL-10-8F	1/2	5/8 BSF	0.750	0.562	1.500	2.500	1.500	0.811	0.875	32,000
FP-10	FPL-10	5/8	5/8 UNF	0.750	0.562	1.500	2.500	1.500	0.811	0.875	32,000
FP-10F	FPL-10F	5/8	5/8 BSF	0.750	0.562	1.500	2.500	1.500	0.811	0.875	32,000
FP-12-10	FPL-12-10	5/8	3/4 UNF	0.875	0.687	1.750	2.875	1.562	0.978	1.000	52,400
FP-12-10F	FPL-12-10F	5/8	3/4 BSF	0.875	0.687	1.750	2.875	1.562	0.978	1.000	52,400
FP-12	FPL-12	3/4	3/4 UNF	0.875	0.687	1.750	2.875	1.562	0.978	1.000	52,400
FP-12F	FPL-12F	3/4	3/4 BSF	0.875	0.687	1.750	2.875	1.562	0.978	1.000	52,400
FP-16-12	FPL-16-12	3/4	1" UNF	1.375	1.000	2.750	4.125	2.125	1.275	1.500	65,200
FP-16-12F	FPL-16-12F	3/4	1" BSF	1.375	1.000	2.750	4.125	2.125	1.275	1.500	65,200
FP-16	FPL-16	1	1" UNF	1.375	1.000	2.750	4.125	4.125	1.275	1.500	65,200
FP-16F	FPL-16F	1	1" BSF	1.375	1.000	2.750	4.125	2.125	1.275	1.500	65,200

FPMS - SERIES STUDED FEMALE ROD ENDS



Materials

Housing: Steel 230M07PB, Zinc plated white & blue passivate (silver/clear).

Race: GR-Nylon, LV-3H.

Ball: Bearing Steel 100Cr6, case hardened & electro-less Nickel plated.

Stud: Steel 230M07PB, Zinc plated white & blue passivate (silver/clear).

Specification

ELV & RoHS Compliant.



METRIC

STUD SIZE	PART NO. RIGHT HAND	PART NO. LEFT HAND	THREAD	A	B	C	K	STATIC LOAD RATING (NEWTONS) RADIAL
M5	FP-M05S	FPL-M05S	M5X0.80	10	10	8	9	1,200
M5	FP-M06-5S	FPL-M06-5S	M6X1.00	12	12	10	10	1,200
M6	FP-M06S	FPL-M06S	M6X1.00	12	12	10	10	2,500
M6	FP-M08-6S	FPL-M08-6S	M8X1.25	16	16	14	13	2,500
M8	FP-M08S	FPL-M08S	M8X1.25	16	16	14	13	6,890
M8	FP-M10-8S	FPL-M10-8S	M10X1.50	20	20	18	17	6,890
M10	FP-M10S	FPL-M10S	M10X1.50	20	20	18	17	14,200
M10	FP-M12-10S	FPL-M12-10S	M12X1.75	24	24	21	19	14,200
M12	FP-M12S	FPL-M12S	M12X1.75	24	24	21	19	22,000
M12	FP-M14-12S	FPL-M14-12S	M14X2.00	28	28	25	22	22,000
M14	FP-M14S	FPL-M14S	M14X2.00	28	28	25	22	29,000
M14	FP-M16-14S	FPL-M16-14S	M16X2.00	32	32	29	24	29,000
M16	FP-M16S	FPL-M16S	M16X2.00	32	32	29	24	34,000

FPIS - SERIES STUDED FEMALE ROD ENDS

IMPERIAL

STUD SIZE	PART NO. RIGHT HAND	PART NO. LEFT HAND	HOUSING THREAD	A	B	C	K	STATIC LOAD RATING (NEWTONS) RADIAL
10-32 UNF	FP-03S	FPL-03S	10-32 UNF	0.500	0.516	0.437	0.312	1,200
10-32 UNF	FP-04-3S	FPL-04-3S	1/4 UNF	0.562	0.485	0.500	0.375	1,200
1/4 UNF	FP-04S	FPL-04S	1/4 UNF	0.562	0.485	0.500	0.375	2,970
1/4 UNF	FP-05-4S	FPL-05-4S	5/16 UNF	0.687	0.547	0.594	0.437	2,970
5/16 UNF	FP-05S	FPL-05S	5/16 UNF	0.687	0.547	0.594	0.437	6,880
5/16 UNF	FP-06-5S	FPL-06-5S	3/8 UNF	0.906	0.562	0.812	0.500	6,880
3/8 UNF	FP-06S	FPL-06S	3/8 UNF	0.906	0.562	0.812	0.500	12,830
3/8 UNF	FP-07-6S	FPL-07-6S	7/16 UNF	1.125	0.843	1.000	0.625	12,830
7/16 UNF	FP-07S	FPL-07S	7/16 UNF	1.125	0.843	1.000	0.625	20,690
7/16 UNF	FP-08-7S	FPL-08-7S	1/2 UNF	1.125	0.875	1.000	0.625	20,690
1/2 UNF	FP-08S	FPL-08S	1/2 UNF	1.125	0.875	1.000	0.625	24,820
1/2 UNF	FP-10-8S	FPL-10-8S	5/8 UNF	1.125	1.000	1.000	0.750	24,820
5/8 UNF	FP-10S	FPL-10S	5/8 UNF	1.125	1.000	1.000	0.750	33,880

B.S.F. threads are available from size FP-04S, (FPL-04S), and above by adding suffix "F" to the part number e.g. FP-08FS, (FPL-08FS). Stainless Steel, Grade 303L, Rod Ends are available by adding suffix "SS" to the part number e.g. FP-M10S-SS, (FPL-M10S-SS).

FPM - SS SERIES MAINTENANCE FREE ROD ENDS WITH FEMALE THREAD

Materials

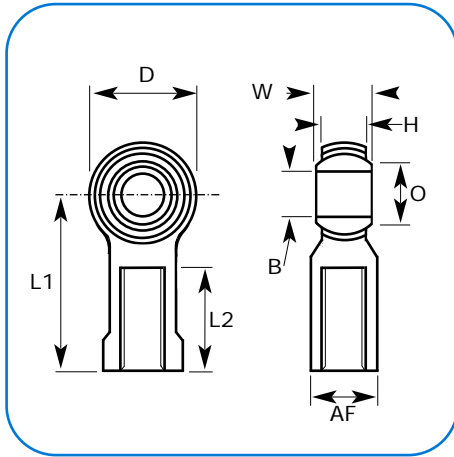
Housing: Stainless Steel, 303L.

Race: GR-Nylon, LV-3H.

Ball: Stainless Steel 440C.

Specification

ELV & RoHS Compliant.



METRIC

PART NO. RIGHT HAND	PART NO. LEFT HAND	BORE SIZE	THREAD	W	H	D	L1	L2	O	AF	STATIC LOAD RATING (NEWTONS) RADIAL
FP-M03SS	FPL-M03SS	3	M3X0.50	6	4.50	12	21	10	5.20	6.5	3,040
FP-M04-3SS	FPL-M04-3SS	3	M4X0.70	7	5.00	14	24	12	6.30	8.0	4,060
FP-M04SS	FPL-M04SS	4	M4X0.70	7	5.00	14	24	12	6.30	8.0	4,060
FP-M05-4SS	FPL-M05-4SS	4	M5X0.80	8	6.00	16	27	14	7.50	9.0	5,340
FP-M05SS	FPL-M05SS	5	M5X0.80	8	6.00	16	27	14	7.50	9.0	5,340
FP-M06-5SS	FPL-M06-5SS	5	M6X1.00	9	6.75	18	30	14	9.30	11.0	7,720
FP-M06SS	FPL-M06SS	6	M6X1.00	9	6.75	18	30	14	9.30	11.0	7,720
FP-M08-6SS	FPL-M08-6SS	6	M8X1.25	12	9.00	22	36	17	10.40	14.0	12,775
FP-M08-6CSS	FPL-M08-6CSS	6	M8X1.00	12	9.00	22	36	17	10.40	14.0	12,775
FP-M08SS	FPL-M08SS	8	M8X1.25	12	9.00	22	36	17	10.40	14.0	12,775
FP-M08CSS	FPL-M08CSS	8	M8X1.00	12	9.00	22	36	17	10.40	14.0	12,775
FP-M10-8SS	FPL-M10-8SS	8	M10X1.50	14	10.50	26	43	21	12.90	17.0	16,960
FP-M10-8CSS	FPL-M10-8CSS	8	M10X1.25	14	10.50	26	43	21	12.90	17.0	16,960
FP-M10SS	FPL-M10SS	10	M10X1.50	14	10.50	26	43	21	12.90	17.0	16,960
FP-M10CSS	FPL-M10CSS	10	M10X1.25	14	10.50	26	43	21	12.90	17.0	16,960
FP-M12-10SS	FPL-M12-10SS	10	M12X1.75	16	12.00	30	50	24	15.40	19.0	22,900
FP-M12-10CSS	FPL-M12-10CSS	10	M12X1.25	16	12.00	30	50	24	15.40	19.0	22,900
FP-M12SS	FPL-M12SS	12	M12X1.75	16	12.00	30	50	24	15.40	19.0	22,900
FP-M12CSS	FPL-M12CSS	12	M12X1.25	16	12.00	30	50	24	15.40	19.0	22,900
FP-M14-12SS	FPL-M14-12SS	12	M14X2.00	19	13.50	34	57	27	16.80	22.0	28,950
FP-M14-12CSS	FPL-M14-12CSS	12	M14X1.50	19	13.50	34	57	27	16.80	22.0	28,950
FP-M14SS	FPL-M14SS	14	M14X2.00	19	13.50	34	57	27	16.80	22.0	28,950
FP-M14CSS	FPL-M14CSS	14	M14X1.50	19	13.50	34	57	27	16.80	22.0	28,950
FP-M16-14SS	FPL-M16-14SS	14	M16X2.00	21	15.00	38	64	33	19.30	24.0	37,130
FP-M16-14CSS	FPL-M16-14CSS	14	M16X1.50	21	15.00	38	64	33	19.30	24.0	37,130
FP-M16SS	FPL-M16SS	16	M16X2.00	21	15.00	38	64	33	19.30	24.0	37,130
FP-M16CSS	FPL-M16CSS	16	M16X1.50	21	15.00	38	64	33	19.30	24.0	37,130
FP-M18-16CSS	FPL-M18-16CSS	16	M18X1.50	23	16.50	46	71	36	21.80	27.0	45,730
FP-M18CSS	FPL-M18CSS	18	M18X1.50	23	16.50	46	71	36	21.80	27.0	45,730
FP-M20-18SS	FPL-M20-18SS	18	M20X2.50	25	18.00	50	77	40	24.50	30.0	55,240
FP-M20-18CSS	FPL-M20-18CSS	18	M20X1.50	25	18.00	50	77	40	24.50	30.0	55,240
FP-M20SS	FPL-M20SS	20	M20X2.50	25	18.00	50	77	40	24.50	30.0	55,240
FP-M20CSS	FPL-M20CSS	20	M20X1.50	25	18.00	50	77	40	24.50	30.0	55,240
FP-M22SS	FPL-M22SS	22	M22X1.50	28	20.00	54	84	43	25.80	32.0	57,420
FP-M25SS	FPL-M25SS	25	M24X2.00	31	22.00	60	94	48	29.60	36.0	67,140

Note: Stainless steel materials such as 304, 314 & 316 are also available to order, please enquire for further information.

FPI - SS SERIES MAINTENANCE FREE ROD ENDS WITH FEMALE THREAD

Materials

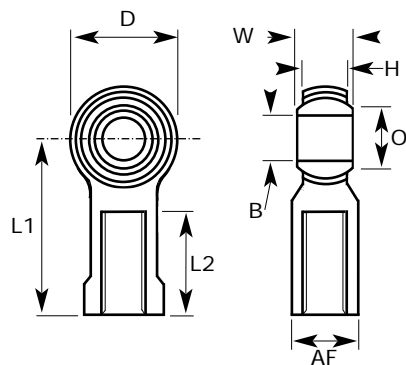
Housing: Stainless Steel, 303L.

Race: GR-Nylon, LV-3H.

Ball: Stainless Steel 440C.

Specification

ELV & RoHS Compliant.



IMPERIAL

PART NO. RIGHT HAND	PART NO. LEFT HAND	BORE SIZE	THREAD	W	H	D	L1	L2	O	AF	STATIC LOAD RATING (NEWTONS) RADIAL
FP-03SS	FPL-03SS	3/16	10-32 UNF	0.312	0.250	0.625	1.062	0.562	0.306	0.312	5,340
FP-04-3SS	FPL-04-3SS	3/16	1/4 UNF	0.375	0.281	0.750	1.312	0.750	0.354	0.375	8,450
FP-04-3FSS	FPL-04-3FSS	3/16	1/4 BSF	0.375	0.281	0.750	1.312	0.750	0.354	0.375	8,450
FP-04SS	FPL-04SS	1/4	1/4 UNF	0.375	0.281	0.750	1.312	0.750	0.354	0.375	8,450
FP-04FSS	FPL-04FSS	1/4	1/4 BSF	0.375	0.281	0.750	1.312	0.750	0.354	0.375	8,450
FP-05-4SS	FPL-05-4SS	1/4	5/16 UNF	0.437	0.344	0.875	1.375	0.750	0.447	0.437	12,010
FP-05-4FSS	FPL-05-4FSS	1/4	5/16 BSF	0.437	0.344	0.875	1.375	0.750	0.447	0.437	12,010
FP-05SS	FPL-05SS	5/16	5/16 UNF	0.437	0.344	0.875	1.375	0.750	0.447	0.437	12,010
FP-05FSS	FPL-05FSS	5/16	5/16 BSF	0.437	0.344	0.875	1.375	0.750	0.447	0.437	12,010
FP-06-5SS	FPL-06-5SS	5/16	3/8 UNF	0.500	0.406	1.000	1.625	0.932	0.516	0.562	16,900
FP-06-5FSS	FPL-06-5FSS	5/16	3/8 BSF	0.500	0.406	1.000	1.625	0.932	0.516	0.562	16,900
FP-06SS	FPL-06SS	3/8	3/8 UNF	0.500	0.406	1.000	1.625	0.932	0.516	0.562	16,900
FP-06FSS	FPL-06FSS	3/8	3/8 BSF	0.500	0.406	1.000	1.625	0.932	0.516	0.562	16,900
FP-07-6SS	FPL-07-6SS	3/8	7/16 UNF	0.562	0.437	1.125	1.812	1.062	0.586	0.625	19,750
FP-07-6FSS	FPL-07-6FSS	3/8	7/16 BSF	0.562	0.437	1.125	1.812	1.062	0.586	0.625	19,750
FP-07SS	FPL-07SS	7/16	7/16 UNF	0.562	0.437	1.125	1.812	1.062	0.586	0.625	19,750
FP-07FSS	FPL-07FSS	7/16	7/16 BSF	0.562	0.437	1.125	1.812	1.062	0.586	0.625	19,750
FP-08-7SS	FPL-08-7SS	7/16	1/2 UNF	0.652	0.500	1.312	2.125	1.187	0.700	0.750	28,900
FP-08-7FSS	FPL-08-7FSS	7/16	1/2 BSF	0.652	0.500	1.312	2.125	1.187	0.700	0.750	28,900
FP-08SS	FPL-08SS	1/2	1/2 UNF	0.652	0.500	1.312	2.125	1.187	0.700	0.750	28,900
FP-08FSS	FPL-08FSS	1/2	1/2 BSF	0.652	0.500	1.312	2.125	1.187	0.700	0.750	28,900
FP-10-8SS	FPL-10-8SS	1/2	5/8 UNF	0.750	0.562	1.500	2.500	1.500	0.811	0.875	32,000
FP-10-8FSS	FPL-10-8FSS	1/2	5/8 BSF	0.750	0.562	1.500	2.500	1.500	0.811	0.875	32,000
FP-10SS	FPL-10SS	5/8	5/8 UNF	0.750	0.562	1.500	2.500	1.500	0.811	0.875	32,000
FP-10FSS	FPL-10FSS	5/8	5/8 BSF	0.750	0.562	1.500	2.500	1.500	0.811	0.875	32,000
FP-12-10SS	FPL-12-10SS	5/8	3/4 UNF	0.875	0.687	1.875	2.875	1.562	0.978	1.000	52,400
FP-12-10FSS	FPL-12-10FSS	5/8	3/4 BSF	0.875	0.687	1.875	2.875	1.562	0.978	1.000	52,400
FP-12SS	FPL-12SS	3/4	3/4 UNF	0.875	0.687	1.875	2.875	1.562	0.978	1.000	52,400
FP-12FSS	FPL-12FSS	3/4	3/4 BSF	0.875	0.687	1.875	2.875	1.562	0.978	1.000	52,400
FP-16-12SS	FPL-16-12SS	3/4	1" UNF	1.375	1.000	2.750	4.125	2.125	1.275	1.500	65,200
FP-16-12FSS	FPL-16-12FSS	3/4	1" BSF	1.375	1.000	2.750	4.125	2.125	1.275	1.500	65,200
FP-16SS	FPL-16SS	1	1" UNF	1.375	1.000	2.750	4.125	2.125	1.275	1.500	65,200
FP-16FSS	FPL-16FSS	1	1" BSF	1.375	1.000	2.750	4.125	2.125	1.275	1.500	65,200

Note: Stainless steel materials such as 304, 314 & 316 are also available to order, please enquire for further information.

FBM - SERIES MAINTENANCE REQUIRED ROD ENDS WITH FEMALE THREAD

Materials

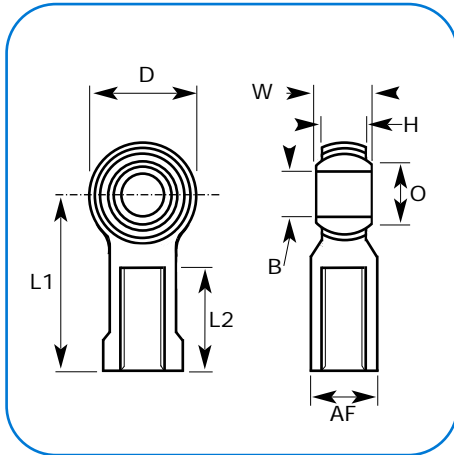
Housing: Steel 230M07PB, Zinc plated white & blue passivate (silver/clear).

Race: Bronze SAE660.

Ball: Bearing Steel 100Cr6, case hardened & electro-less Nickel plated.

Specification

ELV & RoHS Compliant.



METRIC

PART NO. RIGHT HAND	PART NO. LEFT HAND	BORE SIZE	THREAD	W	H	D	L1	L2	O	AF	STATIC LOAD RATING (NEWTONS) RADIAL
FB-M03	FBL-M03	3	M3X0.50	6	4.50	12	21	10	5.20	6.5	3,648
FB-M04-3	FBL-M04-3	3	M4X0.70	7	5.00	14	24	12	6.30	8.0	4,960
FB-M04	FBL-M04	4	M4X0.70	7	5.00	14	24	12	6.30	8.0	4,960
FB-M05-4	FBL-M05-4	4	M5X0.80	8	6.00	16	27	14	7.50	9.0	6,360
FB-M05	FBL-M05	5	M5X0.80	8	6.00	16	27	14	7.50	9.0	6,360
FB-M06-5	FBL-M06-5	5	M6X1.00	9	6.75	18	30	14	9.30	11.0	6,820
FB-M06	FBL-M06	6	M6X1.00	9	6.75	18	30	14	9.30	11.0	6,820
FB-M08-6	FBL-M08-6	6	M8X1.25	12	9.00	22	36	17	10.40	14.0	10,450
FB-M08-6C	FBL-M08-6C	6	M8X1.00	12	9.00	22	36	17	10.40	14.0	10,450
FB-M08	FBL-M08	8	M8X1.25	12	9.00	22	36	17	10.40	14.0	10,450
FB-M08C	FBL-M08C	8	M8X1.00	12	9.00	22	36	17	10.40	14.0	10,450
FB-M10-8	FBL-M10-8	8	M10X1.50	14	10.50	26	43	21	12.90	17.0	14,000
FB-M10-8C	FBL-M10-8C	8	M10X1.25	14	10.50	26	43	21	12.90	17.0	14,000
FB-M10	FBL-M10	10	M10X1.50	14	10.50	26	43	21	12.90	17.0	14,000
FB-M10C	FBL-M10C	10	M10X1.25	14	10.50	26	43	21	12.90	17.0	14,000
FB-M12-10	FBL-M12-10	10	M12X1.75	16	12.00	30	50	24	15.40	19.0	18,745
FB-M12-10C	FBL-M12-10C	10	M12X1.25	16	12.00	30	50	24	15.40	19.0	18,745
FB-M12	FBL-M12	12	M12X1.75	16	12.00	30	50	24	15.40	19.0	18,745
FB-M12C	FBL-M12C	12	M12X1.25	16	12.00	30	50	24	15.40	19.0	18,745
FB-M14-12	FBL-M14-12	12	M14X2.00	19	13.50	34	57	27	16.80	22.0	22,125
FB-M14-12C	FBL-M14-12C	12	M14X1.50	19	13.50	34	57	27	16.80	22.0	22,125
FB-M14	FBL-M14	14	M14X2.00	19	13.50	34	57	27	16.80	22.0	22,125
FB-M14C	FBL-M14C	14	M14X1.50	19	13.50	34	57	27	16.80	22.0	22,125
FB-M16-14	FBL-M16-14	14	M16X2.00	21	15.00	38	64	33	19.30	24.0	23,700
FB-M16-14C	FBL-M16-14C	14	M16X1.50	21	15.00	38	64	33	19.30	24.0	23,700
FB-M16	FBL-M16	16	M16X2.00	21	15.00	38	64	33	19.30	24.0	23,700
FB-M16C	FBL-M16C	16	M16X1.50	21	15.00	38	64	33	19.30	24.0	23,700
FB-M18-16C	FBL-M18-16C	16	M18X1.50	23	16.50	46	71	36	21.80	27.0	25,600
FB-M18C	FBL-M18C	18	M18X1.50	23	16.50	46	71	36	21.80	27.0	25,600
FB-M20-18	FBL-M20-18	18	M20X2.50	25	18.00	50	77	40	24.50	30.0	28,640
FB-M20-18C	FBL-M20-18C	18	M20X1.50	25	18.00	50	77	40	24.50	30.0	28,640
FB-M20	FBL-M20	20	M20X2.50	25	18.00	50	77	40	24.50	30.0	28,640
FB-M20C	FBL-M20C	20	M20X1.50	25	18.00	50	77	40	24.50	30.0	28,640
FB-M22	FBL-M22	22	M22X1.50	28	20.00	54	84	43	25.80	32.0	34,200
FB-M25	FBL-M25	25	M24X2.00	31	22.00	60	94	48	29.60	36.0	47,750

Note: An oil impregnated Sintered Bronze race is also available for many sizes or if quantity justifies production. This will offer extended life without the need for routine maintenance i.e. maintenance free, add suffix "SPB" to part number for example FB-M10SPB. Please enquire for availability.

FBI - SERIES MAINTENANCE REQUIRED ROD ENDS WITH FEMALE THREAD

Materials

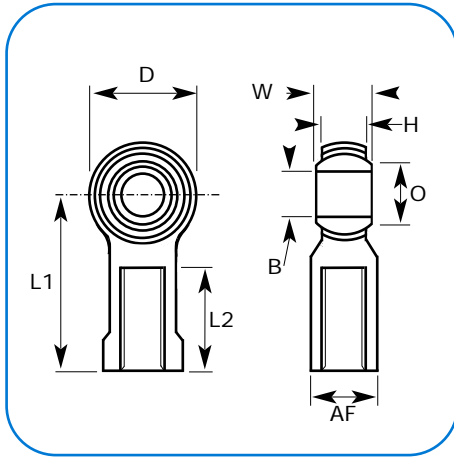
Housing: Steel 230M07PB, Zinc plated white & blue passivate (silver/clear).

Race: Bronze SAE660.

Ball: Bearing Steel 100Cr6, case hardened & electro-less Nickel plated.

Specification

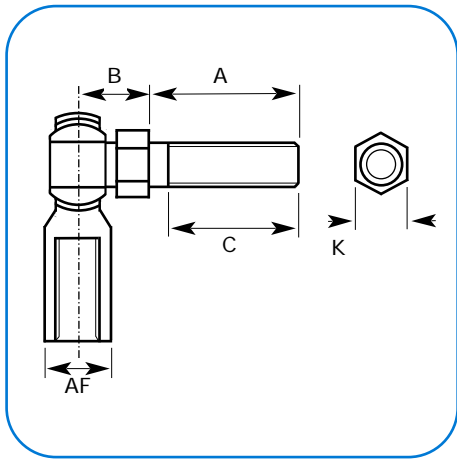
ELV & RoHS Compliant.



IMPERIAL

PART NO. RIGHT HAND	PART NO. LEFT HAND	BORE SIZE	THREAD	W	H	D	L1	L2	O	AF	STATIC LOAD RATING (NEWTONS) RADIAL
FB-03	FBL-03	3/16	10-32 UNF	0.312	0.250	0.625	1.062	0.562	0.306	0.312	6,360
FB-04-3	FBL-04-3	3/16	1/4 UNF	0.375	0.281	0.750	1.312	0.750	0.354	0.375	6,820
FB-04-3F	FBL-04-3F	3/16	1/4 BSF	0.375	0.281	0.750	1.312	0.750	0.354	0.375	6,820
FB-04	FBL-04	1/4	1/4 UNF	0.375	0.281	0.750	1.312	0.750	0.354	0.375	6,820
FB-04F	FBL-04F	1/4	1/4 BSF	0.375	0.281	0.750	1.312	0.750	0.354	0.375	6,820
FB-05-4	FBL-05-4	1/4	5/16 UNF	0.437	0.344	0.875	1.375	0.750	0.447	0.437	10,450
FB-05-4F	FBL-05-4F	1/4	5/16 BSF	0.437	0.344	0.875	1.375	0.750	0.447	0.437	10,450
FB-05	FBL-05	5/16	5/16 UNF	0.437	0.344	0.875	1.375	0.750	0.447	0.437	10,450
FB-05F	FBL-05F	5/16	5/16 BSF	0.437	0.344	0.875	1.375	0.750	0.447	0.437	10,450
FB-06-5	FBL-06-5	5/16	3/8 UNF	0.500	0.406	1.000	1.625	0.932	0.516	0.562	13,640
FB-06-5F	FBL-06-5F	5/16	3/8 BSF	0.500	0.406	1.000	1.625	0.932	0.516	0.562	13,640
FB-06	FBL-06	3/8	3/8 UNF	0.500	0.406	1.000	1.625	0.932	0.516	0.562	13,640
FB-06F	FBL-06F	3/8	3/8 BSF	0.500	0.406	1.000	1.625	0.932	0.516	0.562	13,640
FB-07-6	FBL-07-6	3/8	7/16 UNF	0.562	0.437	1.125	1.812	1.062	0.586	0.625	16,360
FB-07-6F	FBL-07-6F	3/8	7/16 BSF	0.562	0.437	1.125	1.812	1.062	0.586	0.625	16,360
FB-07	FBL-07	7/16	7/16 UNF	0.562	0.437	1.125	1.812	1.062	0.586	0.625	16,360
FB-07F	FBL-07F	7/16	7/16 BSF	0.562	0.437	1.125	1.812	1.062	0.586	0.625	16,360
FB-08-7	FBL-08-7	7/16	1/2 UNF	0.652	0.500	1.312	2.125	1.187	0.700	0.750	19,545
FB-08-7F	FBL-08-7F	7/16	1/2 BSF	0.652	0.500	1.312	2.125	1.187	0.700	0.750	19,545
FB-08	FBL-08	1/2	1/2 UNF	0.652	0.500	1.312	2.125	1.187	0.700	0.750	19,545
FB-08F	FBL-08F	1/2	1/2 BSF	0.652	0.500	1.312	2.125	1.187	0.700	0.750	19,545
FB-10-8	FBL-10-8	1/2	5/8 UNF	0.750	0.562	1.500	2.500	1.500	0.811	0.875	22,500
FB-10-8F	FBL-10-8F	1/2	5/8 BSF	0.750	0.562	1.500	2.500	1.500	0.811	0.875	22,500
FB-10	FBL-10	5/8	5/8 UNF	0.750	0.562	1.500	2.500	1.500	0.811	0.875	22,500
FB-10F	FBL-10F	5/8	5/8 BSF	0.750	0.562	1.500	2.500	1.500	0.811	0.875	22,500
FB-12-10	FBL-12-10	5/8	3/4 UNF	0.875	0.687	1.875	2.875	1.562	0.978	1.000	28,640
FB-12-10F	FBL-12-10F	5/8	3/4 BSF	0.875	0.687	1.875	2.875	1.562	0.978	1.000	28,640
FB-12	FBL-12	3/4	3/4 UNF	0.875	0.687	1.875	2.875	1.562	0.978	1.000	28,640
FB-12F	FBL-12F	3/4	3/4 BSF	0.875	0.687	1.875	2.875	1.562	0.978	1.000	28,640
FB-16-12	FBL-16-12	3/4	1" UNF	1.375	1.000	2.750	4.125	2.125	1.275	1.500	47,500
FB-16-12F	FBL-16-12F	3/4	1" BSF	1.375	1.000	2.750	4.125	2.125	1.275	1.500	47,500
FB-16	FBL-16	1	1" UNF	1.375	1.000	2.750	4.125	2.125	1.275	1.500	47,500
FB-16F	FBL-16F	1	1" BSF	1.375	1.000	2.750	4.125	2.125	1.275	1.500	47,500

Note: An oil impregnated Sintered Bronze race is also available for many sizes or if quantity justifies production. This will offer extended life without the need for routine maintenance i.e. maintenance free, add suffix "SPB" to part number for example FB-10SPB. Please enquire for availability.



FBMS - SERIES MAINTENANCE FREE ROD ENDS WITH FEMALE THREAD

Materials

Housing: Steel 230M07PB, Zinc plated white & blue passivate (silver/clear).

Race: Bronze SAE 660.

Ball: Bearing Steel 100Cr6, case hardened & electro-less Nickel plated.

Stud: Steel 230M07PB, Zinc plated white & blue passivate (silver/clear).

Specification

ELV & RoHS Compliant.



METRIC

STUD SIZE	PART NO. RIGHT HAND	PART NO. LEFT HAND	THREAD	A	B	C	K	STATIC LOAD RATING (NEWTONS) RADIAL
M5	FB-M05S	FBL-M05S	M5X0.80	10	10	8	9	1,200
M5	FB-M06-5S	FBL-M06-5S	M6X1.00	12	12	10	10	1,200
M6	FB-M06S	FBL-M06S	M6X1.00	12	12	10	10	2,500
M6	FB-M08-6S	FBL-M08-6S	M8X1.25	16	16	14	13	2,500
M8	FB-M08S	FBL-M08S	M8X1.25	16	16	14	13	6,890
M8	FB-M10-8S	FBL-M10-8S	M10X1.50	20	20	18	17	6,890
M10	FB-M10S	FBL-M10S	M10X1.50	20	20	18	17	14,200
M10	FB-M12-10S	FBL-M12-10S	M12X1.75	24	24	21	19	14,200
M12	FB-M12S	FBL-M12S	M12X1.75	24	24	21	19	22,000
M12	FB-M14-12S	FBL-M14-12S	M14X2.00	28	28	25	22	22,000
M14	FB-M14S	FBL-M14S	M14X2.00	28	28	25	22	29,000
M14	FB-M16-14S	FBL-M16-14S	M16X2.00	32	32	29	24	29,000
M16	FB-M16S	FBL-M16S	M16X2.00	32	32	29	24	34,000

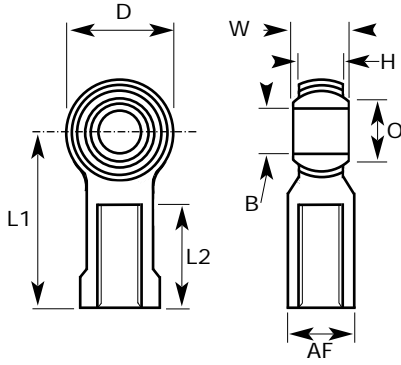
FBIS - SERIES STUDED FEMALE ROD ENDS

IMPERIAL

STUD SIZE	PART NO. RIGHT HAND	PART NO. LEFT HAND	HOUSING THREAD	A	B	C	K	STATIC LOAD RATING (NEWTONS) RADIAL
10-32 UNF	FB-03S	FBL-03S	10-32 UNF	0.500	0.516	0.437	0.312	1,200
10-32 UNF	FB-04-3S	FBL-04-3S	1/4 UNF	0.562	0.485	0.500	0.375	1,200
1/4 UNF	FB-04S	FBL-04S	1/4 UNF	0.562	0.485	0.500	0.375	2,970
1/4 UNF	FB-05-4S	FBL-05-4S	5/16 UNF	0.687	0.547	0.594	0.437	2,970
5/16 UNF	FB-05S	FBL-05S	5/16 UNF	0.687	0.547	0.594	0.437	6,880
5/16 UNF	FB-06-5S	FBL-06-5S	3/8 UNF	0.906	0.562	0.812	0.500	6,880
3/8 UNF	FB-06S	FBL-06S	3/8 UNF	0.906	0.562	0.812	0.500	12,830
3/8 UNF	FB-07-6S	FBL-07-6S	7/16 UNF	1.125	0.843	1.000	0.625	12,830
7/16 UNF	FB-07S	FBL-07S	7/16 UNF	1.125	0.843	1.000	0.625	20,690
7/16 UNF	FB-08-7S	FBL-08-7S	1/2 UNF	1.125	0.875	1.000	0.625	20,690
1/2 UNF	FB-08S	FBL-08S	1/2 UNF	1.125	0.875	1.000	0.625	24,820
1/2 UNF	FB-10-8S	FBL-10-8S	5/8 UNF	1.125	1.000	1.000	0.750	24,820
5/8 UNF	FB-10S	FBL-10S	5/8 UNF	1.125	1.000	1.000	0.750	33,880

B.S.F. threads are available from size FB-04S, (FBL-04S), and above by adding suffix "F" to the part number e.g. FB-08FS, (FBL-08FS). Stainless Steel, Grade 303L, Rod Ends are available by adding suffix "SS" to the part number e.g. FB-M10S-SS, (FBL-M10S-SS).

FBM - SS SERIES MAINTENANCE REQUIRED ROD ENDS WITH FEMALE THREAD



Materials

Housing: Stainless Steel, 303L.

Race: Bronze SAE660.

Ball: Stainless Steel 440C.

Specification

ELV & RoHS Compliant.



METRIC

PART NO. RIGHT HAND	PART NO. LEFT HAND	BORE SIZE	THREAD	W	H	D	L1	L2	O	AF	STATIC LOAD RATING (NEWTONS) RADIAL
FB-M03SS	FBL-M03SS	3	M3X0.50	6	4.50	12	21	10	5.20	6.5	3,648
FB-M04-3SS	FBL-M04-3SS	3	M4X0.70	7	5.00	14	24	12	6.30	8.0	4,960
FB-M04SS	FBL-M04SS	4	M4X0.70	7	5.00	14	24	12	6.30	8.0	4,960
FB-M05-4SS	FBL-M05-4SS	4	M5X0.80	8	6.00	16	27	14	7.50	9.0	6,360
FB-M05SS	FBL-M05SS	5	M5X0.80	8	6.00	16	27	14	7.50	9.0	6,360
FB-M06-5SS	FBL-M06-5SS	5	M6X1.00	9	6.75	18	30	14	9.30	11.0	6,820
FB-M06SS	FBL-M06SS	6	M6X1.00	9	6.75	18	30	14	9.30	11.0	6,820
FB-M08-6SS	FBL-M08-6SS	6	M8X1.25	12	9.00	22	36	17	10.40	14.0	10,450
FB-M08-6CSS	FBL-M08-6CSS	6	M8X1.00	12	9.00	22	36	17	10.40	14.0	10,450
FB-M08SS	FBL-M08SS	8	M8X1.25	12	9.00	22	36	17	10.40	14.0	10,450
FB-M08CSS	FBL-M08CSS	8	M8X1.00	12	9.00	22	36	17	10.40	14.0	10,450
FB-M10-8SS	FBL-M10-8SS	8	M10X1.50	14	10.50	26	43	21	12.90	17.0	14,000
FB-M10-8CSS	FBL-M10-8CSS	8	M10X1.25	14	10.50	26	43	21	12.90	17.0	14,000
FB-M10SS	FBL-M10SS	10	M10X1.50	14	10.50	26	43	21	12.90	17.0	14,000
FB-M10CSS	FBL-M10CSS	10	M10X1.25	14	10.50	26	43	21	12.90	17.0	14,000
FB-M12-10SS	FBL-M12-10SS	10	M12X1.75	16	12.00	30	50	24	15.40	19.0	18,745
FB-M12-10CSS	FBL-M12-10CSS	10	M12X1.25	16	12.00	30	50	24	15.40	19.0	18,745
FB-M12SS	FBL-M12SS	12	M12X1.75	16	12.00	30	50	24	15.40	19.0	18,745
FB-M12CSS	FBL-M12CSS	12	M12X1.25	16	12.00	30	50	24	15.40	19.0	18,745
FB-M14-12SS	FBL-M14-12SS	12	M14X2.00	19	13.50	34	57	27	16.80	22.0	22,125
FB-M14-12CSS	FBL-M14-12CSS	12	M14X1.50	19	13.50	34	57	27	16.80	22.0	22,125
FB-M14SS	FBL-M14SS	14	M14X2.00	19	13.50	34	57	27	16.80	22.0	22,125
FB-M14CSS	FBL-M14CSS	14	M14X1.50	19	13.50	34	57	27	16.80	22.0	22,125
FB-M16-14SS	FBL-M16-14SS	14	M16X2.00	21	15.00	38	64	33	19.30	24.0	23,700
FB-M16-14CSS	FBL-M16-14CSS	14	M16X1.50	21	15.00	38	64	33	19.30	24.0	23,700
FB-M16SS	FBL-M16SS	16	M16X2.00	21	15.00	38	64	33	19.30	24.0	23,700
FB-M16CSS	FBL-M16CSS	16	M16X1.50	21	15.00	38	64	33	19.30	24.0	23,700
FB-M18-16CSS	FBL-M18-16CSS	16	M18X1.50	23	16.50	46	71	36	21.80	27.0	25,600
FB-M18CSS	FBL-M18CSS	18	M18X1.50	23	16.50	46	71	36	21.80	27.0	25,600
FB-M20-18SS	FBL-M20-18SS	18	M20X2.50	25	18.00	50	77	40	24.50	30.0	28,640
FB-M20-18CSS	FBL-M20-18CSS	18	M20X1.50	25	18.00	50	77	40	24.50	30.0	28,640
FB-M20SS	FBL-M20SS	20	M20X2.50	25	18.00	50	77	40	24.50	30.0	28,640
FB-M20CSS	FBL-M20CSS	20	M20X1.50	25	18.00	50	77	40	24.50	30.0	28,640
FB-M22SS	FBL-M22SS	22	M22X1.50	28	20.00	54	84	43	25.80	32.0	34,200
FB-M25SS	FBL-M25SS	25	M24X2.00	31	22.00	60	94	48	29.60	36.0	47,750

Note: An oil impregnated Sintered Bronze race is also available for many sizes or if quantity justifies production. This will offer extended life without the need for routine maintenance i.e. maintenance free, add suffix "SPB" to part number for example FB-M10SS-SPB. Please enquire for availability. Stainless steel materials such as 304, 314 & 316 are also available to order, please enquire for further information.

FBI - SS SERIES MAINTENANCE REQUIRED ROD ENDS WITH FEMALE THREAD

Materials

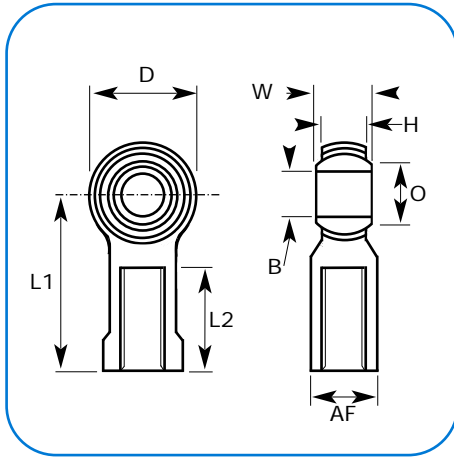
Housing: Stainless Steel, 303L.

Race: Bronze SAE660.

Ball: Stainless Steel 440C.

Specification

ELV & RoHS Compliant.



IMPERIAL

PART NO. RIGHT HAND	PART NO. LEFT HAND	BORE SIZE	THREAD	W	H	D	L1	L2	O	AF	STATIC LOAD RATING (NEWTONS) RADIAL
FB-03SS	FBL-03SS	3/16	10-32	0.312	0.250	0.625	1.062	0.562	0.306	0.312	6,360
FB-04-3SS	FBL-04-3SS	3/16	1/4 UNF	0.375	0.281	0.750	1.312	0.750	0.354	0.375	6,820
FB-04-3FSS	FBL-04-3FSS	3/16	1/4 BSF	0.375	0.281	0.750	1.312	0.750	0.354	0.375	6,820
FB-04SS	FBL-04SS	1/4	1/4 UNF	0.375	0.281	0.750	1.312	0.750	0.354	0.375	6,820
FB-04FSS	FBL-04FSS	1/4	1/4 BSF	0.375	0.281	0.750	1.312	0.750	0.354	0.375	6,820
FB-05-4SS	FBL-05-4SS	1/4	5/16 UNF	0.437	0.344	0.875	1.375	0.750	0.447	0.437	10,450
FB-05-4FSS	FBL-05-4FSS	1/4	5/16 BSF	0.437	0.344	0.875	1.375	0.750	0.447	0.437	10,450
FB-05SS	FBL-05SS	5/16	5/16 UNF	0.437	0.344	0.875	1.375	0.750	0.447	0.437	10,450
FB-05FSS	FBL-05FSS	5/16	5/16 BSF	0.437	0.344	0.875	1.375	0.750	0.447	0.437	10,450
FB-06-5SS	FBL-06-5SS	5/16	3/8 UNF	0.500	0.406	1.000	1.625	0.932	0.516	0.562	13,640
FB-06-5FSS	FBL-06-5FSS	5/16	3/8 BSF	0.500	0.406	1.000	1.625	0.932	0.516	0.562	13,640
FB-06SS	FBL-06SS	3/8	3/8 UNF	0.500	0.406	1.000	1.625	0.932	0.516	0.562	13,640
FB-06FSS	FBL-06FSS	3/8	3/8 BSF	0.500	0.406	1.000	1.625	0.932	0.516	0.562	13,640
FB-07-6SS	FBL-07-6SS	3/8	7/16 UNF	0.562	0.437	1.125	1.812	1.062	0.586	0.625	16,360
FB-07-6FSS	FBL-07-6FSS	3/8	7/16 BSF	0.562	0.437	1.125	1.812	1.062	0.586	0.625	16,360
FB-07SS	FBL-07SS	7/16	7/16 UNF	0.562	0.437	1.125	1.812	1.062	0.586	0.625	16,360
FB-07FSS	FBL-07FSS	7/16	7/16 BSF	0.562	0.437	1.125	1.812	1.062	0.586	0.625	16,360
FB-08-7SS	FBL-08-7SS	7/16	1/2 UNF	0.652	0.500	1.312	2.125	1.187	0.700	0.750	19,545
FB-08-7FSS	FBL-08-7FSS	7/16	1/2 BSF	0.652	0.500	1.312	2.125	1.187	0.700	0.750	19,545
FB-08SS	FBL-08SS	1/2	1/2 UNF	0.652	0.500	1.312	2.125	1.187	0.700	0.750	19,545
FB-08FSS	FBL-08FSS	1/2	1/2 BSF	0.652	0.500	1.312	2.125	1.187	0.700	0.750	19,545
FB-10-8SS	FBL-10-8SS	1/2	5/8 UNF	0.750	0.562	1.500	2.500	1.500	0.811	0.875	22,500
FB-10-8FSS	FBL-10-8FSS	1/2	5/8 BSF	0.750	0.562	1.500	2.500	1.500	0.811	0.875	22,500
FB-10SS	FBL-10SS	5/8	5/8 UNF	0.750	0.562	1.500	2.500	1.500	0.811	0.875	22,500
FB-10FSS	FBL-10FSS	5/8	5/8 BSF	0.750	0.562	1.500	2.500	1.500	0.811	0.875	22,500
FB-12-10SS	FBL-12-10SS	5/8	3/4 UNF	0.875	0.687	1.875	2.875	1.562	0.978	1.000	28,640
FB-12-10FSS	FBL-12-10FSS	5/8	3/4 BSF	0.875	0.687	1.875	2.875	1.562	0.978	1.000	28,640
FB-12SS	FBL-12SS	3/4	3/4 UNF	0.875	0.687	1.875	2.875	1.562	0.978	1.000	28,640
FB-12FSS	FBL-12FSS	3/4	3/4 BSF	0.875	0.687	1.875	2.875	1.562	0.978	1.000	28,640
FB-16-12SS	FBL-16-12SS	3/4	1" UNF	1.375	1.000	2.750	4.125	2.125	1.275	1.500	47,500
FB-16-12FSS	FBL-16-12FSS	3/4	1" BSF	1.375	1.000	2.750	4.125	2.125	1.275	1.500	47,500
FB-16SS	FBL-16SS	1	1" UNF	1.375	1.000	2.750	4.125	2.125	1.275	1.500	47,500
FB-16FSS	FBL-16FSS	1	1" BSF	1.375	1.000	2.750	4.125	2.125	1.275	1.500	47,500

Note: An oil impregnated Sintered Bronze race is also available for many sizes or if quantity justifies production. This will offer extended life without the need for routine maintenance i.e. maintenance free, add suffix "SPB" to part number for example FB-08SS-SPB. Please enquire for availability. Stainless steel materials such as 304, 314 & 316 are also available to order, please enquire for further information.

FSM - SERIES MAINTENANCE FREE ROD ENDS WITH FEMALE THREAD

Materials

Housing: Forged Steel 080M46, Zinc plated white & blue passivate (silver/clear).

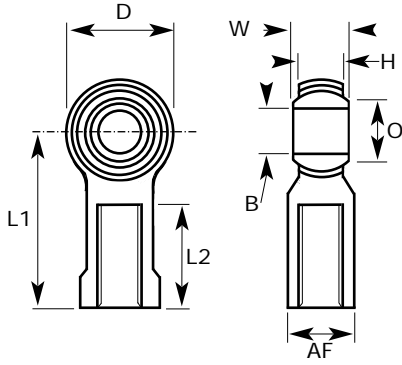
Inner Ring: Steel 080M46.

Ball: Bearing Steel 100Cr6, case hardened & electro-less Nickel plated.

Liner: PTFE fabric.

Specification

ELV & RoHS Compliant.



METRIC

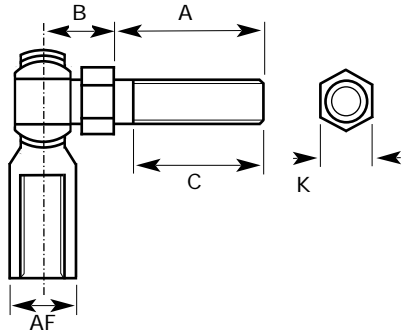
PART NO. RIGHT HAND	PART NO. LEFT HAND	BORE SIZE	THREAD	W	H	D	L1	L2	O	A/F	STATIC LOAD RATING (NEWTONS) RADIAL
FS-M05	FSL-M05	5	M5X0.80	8	6.00	18	27	8	7.50	9	3,250
FS-M06	FSL-M06	6	M6X1.00	9	6.75	20	30	9	9.30	11	4,300
FS-M08	FSL-M08	8	M8X1.25	12	9.00	24	36	12	10.40	14	7,200
FS-M10	FSL-M10	10	M10X1.50	14	10.50	28	43	15	12.90	17	10,000
FS-M12	FSL-M12	12	M12X1.75	16	12.00	32	50	18	15.40	19	13,400
FS-M14	FSL-M14	14	M14X2.00	19	13.50	36	57	21	16.80	22	17,000
FS-M16	FSL-M16	16	M16X2.00	21	15.00	40	64	24	19.30	24	21,600
FS-M18C	FSL-M18C	18	M18X1.50	23	16.50	44	71	27	21.80	27	26,000
FS-M20C	FSL-M20C	20	M20X1.50	25	18.00	48	77	30	24.50	30	31,500
FS-M22	FSL-M22	22	M22X1.50	28	20.00	54	84	32	25.80	32	38,000
FS-M25	FSL-M25	25	M24X2.00	31	22.00	60	94	36	29.60	36	47,500

FSI - SERIES MAINTENANCE FREE ROD ENDS WITH FEMALE THREAD

IMPERIAL

PART NO. RIGHT HAND	PART NO. LEFT HAND	BORE SIZE	THREAD	W	H	D	L1	L2	O	A/F	STATIC LOAD RATING (NEWTONS) RADIAL
FS-03	FSL-03	0.1910	10-32 UNF	0.312	0.250	0.625	1.062	0.500	7.50	0.312	3,250
FS-04	FSL-04	0.2510	1/4 UNF	0.375	0.281	0.750	1.312	0.687	9.30	0.375	4,300
FS-05	FSL-05	0.3135	5/16 UNF	0.437	0.344	0.875	1.375	0.687	10.40	0.437	7,200
FS-06	FSL-06	0.3760	3/8 UNF	0.500	0.406	1.000	1.625	0.812	12.90	0.500	10,000
FS-07	FSL-07	0.4383	7/16 UNF	0.562	0.437	1.125	1.812	0.937	15.40	0.625	13,400
FS-08	FSL-08	0.5010	1/2 UNF	0.625	0.500	1.312	2.125	1.062	16.80	0.625	17,000
FS-10	FSL-10	0.6260	5/8 UNF	0.750	0.562	1.500	2.500	1.375	19.30	0.750	21,600
FS-12	FSL-12	0.7510	3/4 UNF	0.875	0.687	1.750	2.875	1.562	21.80	1.000	31,500

FSMS - SERIES STUDED FEMALE ROD ENDS



Materials

Housing: Forged Steel 080M46, Zinc plated white & blue passivate (silver/clear).

Inner Ring: Steel 080M46.

Ball: Bearing Steel 100Cr6, case hardened & electro-less Nickel plated.

Liner: PTFE fabric.

Stud: Steel 230M07PB, Zinc plated white & blue passivate (silver/clear).

Specification

ELV & RoHS Compliant.



METRIC

STUD SIZE	PART NO. RIGHT HAND	PART NO. LEFT HAND	THREAD	A	B	C	K	STATIC LOAD RATING (NEWTONS) RADIAL
M5	FS-M05S	FSL-M05S	M5X0.80	10	10	8	9	1,200
M5	FS-M06-5S	FSL-M06-5S	M6X1.00	12	12	10	10	1,200
M6	FS-M06S	FSL-M06S	M6X1.00	12	12	10	10	2,500
M6	FS-M08-6S	FSL-M08-6S	M8X1.25	16	16	14	13	2,500
M8	FS-M08S	FSL-M08S	M8X1.25	16	16	14	13	6,890
M8	FS-M10-8S	FSL-M10-8S	M10X1.50	20	20	18	17	6,890
M10	FS-M10S	FSL-M10S	M10X1.50	20	20	18	17	14,200
M10	FS-M12-10S	FSL-M12-10S	M12X1.75	24	24	21	19	14,200
M12	FS-M12S	FSL-M12S	M12X1.75	24	24	21	19	22,000
M12	FS-M14-12S	FSL-M14-12S	M14X2.00	28	28	25	22	22,000
M14	FS-M14S	FSL-M14S	M14X2.00	28	28	25	22	29,000
M14	FS-M16-14S	FSL-M16-14S	M16X2.00	32	32	29	24	29,000
M16	FS-M16S	FSL-M16S	M16X2.00	32	32	29	24	34,000

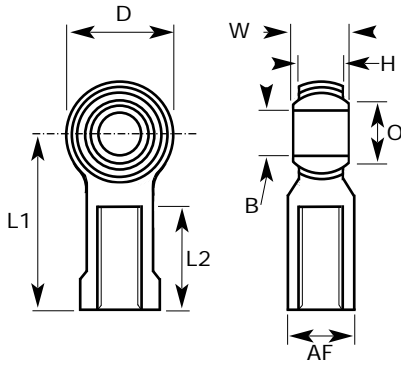
FSIS - SERIES STUDED FEMALE ROD ENDS

IMPERIAL

STUD SIZE	PART NO. RIGHT HAND	PART NO. LEFT HAND	HOUSING THREAD	A	B	C	K	STATIC LOAD RATING (NEWTONS) RADIAL
10-32 UNF	FS-03S	FSL-03S	10-32 UNF	0.500	0.516	0.437	0.312	1,200
10-32 UNF	FS-04-3S	FSL-04-3S	1/4 UNF	0.562	0.485	0.500	0.375	1,200
1/4 UNF	FS-04S	FSL-04S	1/4 UNF	0.562	0.485	0.500	0.375	2,970
1/4 UNF	FS-05-4S	FSL-05-4S	5/16 UNF	0.687	0.547	0.594	0.437	2,970
5/16 UNF	FS-05S	FSL-05S	5/16 UNF	0.687	0.547	0.594	0.437	6,880
5/16 UNF	FS-06-5S	FSL-06-5S	3/8 UNF	0.906	0.562	0.812	0.500	6,880
3/8 UNF	FS-06S	FSL-06S	3/8 UNF	0.906	0.562	0.812	0.500	12,830
3/8 UNF	FS-07-6S	FSL-07-6S	7/16 UNF	1.125	0.843	1.000	0.625	12,830
7/16 UNF	FS-07S	FSL-07S	7/16 UNF	1.125	0.843	1.000	0.625	20,690
7/16 UNF	FS-08-7S	FSL-08-7S	1/2 UNF	1.125	0.875	1.000	0.625	20,690
1/2 UNF	FS-08S	FSL-08S	1/2 UNF	1.125	0.875	1.000	0.625	24,820
1/2 UNF	FS-10-8S	FSL-10-8S	5/8 UNF	1.125	1.000	1.000	0.750	24,820
5/8 UNF	FS-10S	FSL-10S	5/8 UNF	1.125	1.000	1.000	0.750	33,880

Stainless Steel, Grade 303L, Rod Ends are available by adding suffix "SS" to the part number e.g. FS-M10S-SS, (FSL-M10S-SS).

FSM - SS SERIES MAINTENANCE FREE ROD ENDS WITH FEMALE THREADS



Materials

Housing: Forged Stainless Steel 304L.

Inner Ring: Stainless Steel 304L.

Ball: Stainless Steel 440C.

Liner: PTFE fabric.

Specification

ELV & RoHS Compliant.



METRIC

PART NO. RIGHT HAND	PART NO. LEFT HAND	BORE SIZE	THREAD	W	H	D	L1	L2	O	A/F	STATIC LOAD RATING (NEWTONS) RADIAL
FS-M05-SS	FSL-M05-SS	5	M5X0.80	8	6.00	18	27	8	7.50	9	3,250
FS-M06-SS	FSL-M06-SS	6	M6X1.00	9	6.75	20	30	9	9.30	11	4,300
FS-M08-SS	FSL-M08-SS	8	M8X1.25	12	9.00	24	36	12	10.40	14	7,200
FS-M10-SS	FSL-M10-SS	10	M10X1.50	14	10.50	28	43	15	12.90	17	10,000
FS-M12-SS	FSL-M12-SS	12	M12X1.75	16	12.00	32	50	18	15.40	19	13,400
FS-M14-SS	FSL-M14-SS	14	M14X2.00	19	13.50	36	57	21	16.80	22	17,000
FS-M16-SS	FSL-M16-SS	16	M16X2.00	21	15.00	40	64	24	19.30	24	21,600
FS-M18-CSS	FSL-M18-CSS	18	M18X1.50	23	16.50	44	71	27	21.80	27	26,000
FS-M20-CSS	FSL-M20-CSS	20	M20X1.50	25	18.00	48	77	30	24.50	30	31,500
FS-M22-SS	FSL-M22-SS	22	M22X1.50	28	20.00	54	84	32	25.80	32	38,000
FS-M25-SS	FSL-M25-SS	25	M24X2.00	31	22.00	60	94	36	29.60	36	47,500

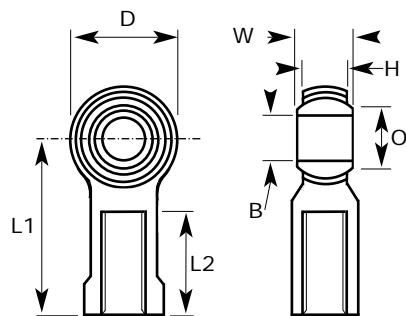
IMPERIAL

FSI - SS SERIES MAINTENANCE FREE ROD ENDS WITH FEMALE THREAD

PART NO. RIGHT HAND	PART NO. LEFT HAND	BORE SIZE	THREAD	W	H	D	L1	L2	O	A/F	STATIC LOAD RATING (NEWTONS) RADIAL
FS-03-SS	FSL-03-SS	0.1910	10-32 UNF	0.312	0.250	0.625	1.062	0.500	7.50	0.312	3,250
FS-04-SS	FSL-04-SS	0.2510	1/4 UNF	0.375	0.281	0.750	1.312	0.687	9.30	0.375	4,300
FS-05-SS	FSL-05-SS	0.3135	5/16 UNF	0.437	0.344	0.875	1.375	0.687	10.40	0.437	7,200
FS-06-SS	FSL-06-SS	0.3760	3/8 UNF	0.500	0.406	1.000	1.625	0.812	12.90	0.500	10,000
FS-07-SS	FSL-07-SS	0.4383	7/16 UNF	0.562	0.437	1.125	1.812	0.937	15.40	0.625	13,400
FS-08-SS	FSL-08-SS	0.5010	1/2 UNF	0.625	0.500	1.312	2.125	1.062	16.80	0.625	17,000
FS-10-SS	FSL-10-SS	0.6260	5/8 UNF	0.750	0.562	1.500	2.500	1.375	19.30	0.750	21,600
FS-12-SS	FSL-12-SS	0.7510	3/4 UNF	0.875	0.687	1.750	2.875	1.562	21.80	1.000	31,500

HMF - SERIES MAINTENANCE FREE

ROD ENDS WITH FEMALE THREAD



Materials

Housing: Steel 230M07PB, Zinc plated white & blue passivate (silver/clear).

Race: Polyurethane.

Ball: 230M07PB, Nitrotec Finish.

Lubricant: Uniflor Oil.

Specification

ELV & RoHS compliant.

**International
Patented Design.**



METRIC

PART NO. RIGHT HAND	PART NO. LEFT HAND	BORE SIZE	THREAD	W	H	D	L1	L2	O	STATIC LOAD RATING (NEWTONS) RADIAL
HMF6	HMF6LH	6	M6X1.00	9	6.75	20	30	14.0	8.9	7,806
HMF8	HMF8LH	8	M8X1.25	12	9.00	24	36	17.0	10.3	13,652
HMF8C	HMF8CLH	8	M8X1.00	12	9.00	24	36	17.0	10.3	13,652
HMF10	HMF10LH	10	M10X1.50	14	10.50	28	43	21.0	12.9	18,690
HMF10C	HMF10CLH	10	M10X1.25	14	10.50	28	43	21.0	12.9	18,690
HMF10/2	HMF10/2LH	10	M12X1.75	14	10.50	28	51	25.5	12.9	18,690
HMF10/2C	HMF10/2CLH	10	M12X1.50	14	10.50	28	51	25.5	12.9	18,690
HMF12	HMF12LH	12	M12X1.75	16	12.00	32	62	37.0	15.4	24,555
HMF12C	HMF12CLH	12	M12X1.25	16	12.00	32	62	37.0	15.4	24,555

HIF - SERIES MAINTENANCE FREE

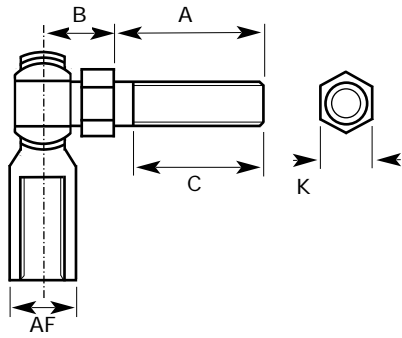
ROD ENDS WITH FEMALE THREAD

IMPERIAL

PART NO. RIGHT HAND	PART NO. LEFT HAND	BORE SIZE	THREAD	W	H	D	L1	L2	O	STATIC LOAD RATING (NEWTONS) RADIAL
HIF250	HIF250LH	1/4	1/4 UNF	0.354	0.268	0.787	1.181	0.551	0.350	7,806
HIF250F	HIF250FLH	1/4	1/4 BSF	0.354	0.268	0.787	1.181	0.551	0.350	7,806
HIF250/1	HIF250/1LH	1/4	1/4 UNF	0.354	0.268	0.787	1.417	0.670	0.350	7,806
HIF250/1F	HIF250/1FLH	1/4	1/4 BSF	0.354	0.268	0.787	1.417	0.670	0.350	7,806
HIF312	HIF312LH	5/16	5/16 UNF	0.474	0.354	0.937	1.417	0.670	0.406	13,652
HIF312F	HIF312FLH	5/16	5/16 BSF	0.474	0.354	0.937	1.417	0.670	0.406	13,652
HIF375	HIF375LH	3/8	3/8 UNF	0.551	0.413	1.102	1.693	0.827	0.508	18,690
HIF375F	HIF375FLH	3/8	3/8 BSF	0.551	0.413	1.102	1.693	0.827	0.508	18,690
HIF437	HIF437LH	7/16	7/16 UNF	0.561	0.440	1.200	1.810	0.905	0.585	21,212
HIF437F	HIF437FLH	7/16	7/16 BSF	0.561	0.440	1.200	1.810	0.905	0.585	21,212
HIF500	HIF500LH	1/2	1/2 UNF	0.630	0.474	1.250	1.968	0.984	0.606	24,555
HIF500F	HIF500FLH	1/2	1/2 BSF	0.630	0.474	1.250	1.968	0.984	0.606	24,555

HMFS - SERIES MAINTENANCE FREE

ROD ENDS WITH FEMALE THREAD



Materials

Housing: Steel 230M07PB, Zinc plated white & blue passivate (silver/clear).

Race: Polyurethane.

Ball: 230M07PB, Nitrotec Finish.

Lubricant: Uniflor Oil.

Stud: 230M07PB, Zinc plated white & blue passivate (silver/clear).

Specification
ELV & RoHS compliant.

**International
Patented Design.**



METRIC

STUD SIZE	PART NO. RIGHT HAND	PART NO. LEFT HAND	THREAD	A	B	C	K	STATIC LOAD RATING (NEWTONS) RADIAL
M6	HMFS6	HMFS6LH	M6X1.00	12.5	11.0	10.5	8	4,500
M8	HMFS8	HMFS8LH	M8X1.25	16.5	13.0	14.5	11	6,000
M8	HMFS8/1	HMFS8/1LH	M6X1.00	16.5	13.0	14.5	13	6,000
M8	HMFS8/2	HMFS8/2LH	M10X1.50	16.5	13.0	14.5	9	6,000
M10	HMFS10	HMFS10LH	M10X1.50	20.0	16.0	18.0	13	7,500
M10	HMFS10C	HMFS10CLH	M10X1.25	20.0	16.0	18.0	13	7,500
M10	HMFS10/1	HMFS10/1LH	M10X1.50	28.1	15.3	13.5*	13	7,500
M10	HMFS10/2	HMFS10/2LH	M10X1.50	23.0	16.0	21.0	11	7,500
M12	HMFS12	HMFS12LH	M12X1.75	20.0	13.0	18.0	16	9,000

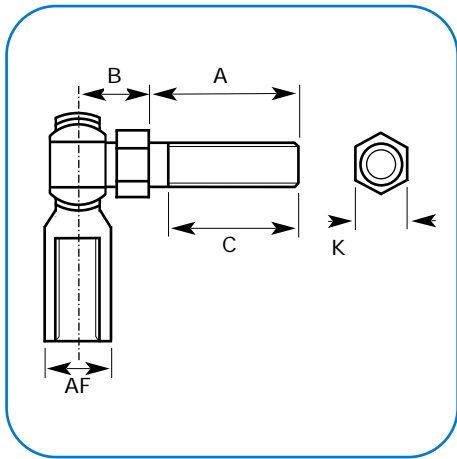
HIFS - SERIES MAINTENANCE FREE

ROD ENDS WITH FEMALE THREAD

IMPERIAL

STUD SIZE	PART NO. RIGHT HAND	PART NO. LEFT HAND	THREAD	A	B	C	K	STATIC LOAD RATING (NEWTONS) RADIAL
1/4	HIFS250	HIFS250LH	1/4 UNF	0.492	0.417	0.492	5/16	4,500
1/4	HIFS250F	HIFS250FLH	1/4 BSF	0.492	0.417	0.492	5/16	4,500
5/16	HIFS312	HIFS312LH	5/16 UNF	0.650	0.512	0.650	7/16	6,000
5/16	HIFS312F	HIFS312FLH	5/16 BSF	0.650	0.512	0.650	7/16	6,000
3/8	HIFS375	HIFS375LH	3/8 UNF	0.787	0.630	0.787	1/2	7,500
3/8	HIFS375F	HIFS375FLH	3/8 BSF	0.787	0.630	0.787	1/2	7,500
7/16	HIFS437	HIFS437LH	7/16 UNF	0.945	0.750	0.865	1/2	8,350
7/16	HIFS437F	HIFS437FLH	7/16 BSF	0.945	0.750	0.865	1/2	8,350
1/2	HIFS500	HIFS500LH	1/2 UNF	1.100	0.866	0.945	9/16	9,000
1/2	HIFS500F	HIFS500FLH	1/2 BSF	1.100	0.866	0.945	9/16	9,000

Note: * Denotes HMFS10/1 & HMFS10/1LH has a tapered stud.



HMFSS - SERIES SOLID STUD

ROD ENDS WITH FEMALE THREAD

Materials

Housing: Steel 230M07PB, Zinc plated white & blue passivate (silver/clear).

Race: Polyurethane.

Ball & Stud: 230M07PB, Nitrotec Finish.

Lubricant: Uniflor Oil.

Specification

ELV & RoHS compliant.

**International
Patented Design.**



METRIC

STUD SIZE	PART NO. RIGHT HAND	PART NO. LEFT HAND	THREAD	A	B	C	K	STATIC LOAD RATING (NEWTONS) RADIAL
M6	HMFSS6	HMFSS6LH	M6X1.00	12.5	11.0	10.5	8	4,500
M8	HMFSS8	HMFSS8LH	M8X1.25	16.5	13.0	14.5	11	6,000
M8	HMFSS8/1	HMFSS8/1LH	M6X1.00	16.5	13.0	14.5	13	6,000
M8	HMFSS8/2	HMFSS8/2LH	M10X1.50	16.5	13.0	14.5	9	6,000
M10	HMFSS10	HMFSS10LH	M10X1.50	20.0	16.0	18.0	13	7,500
M10	HMFSS10C	HMFSS10CLH	M10X1.25	20.0	16.0	18.0	13	7,500
M10	HMFSS10/1	HMFSS10/1LH	M10X1.50	28.1	15.3	13.5*	13	7,500
M10	HMFSS10/2	HMFSS10/2LH	M10X1.50	23.0	16.0	21.0	11	7,500
M12	HMFSS12	HMFSS12LH	M12X1.75	20.0	13.0	18.0	16	9,000

IMPERIAL

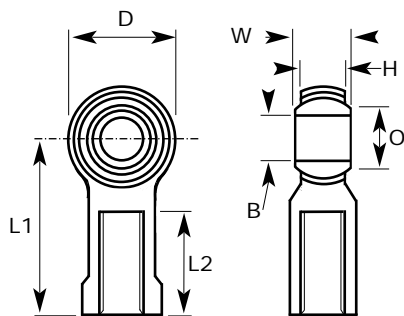
HIFSS - SERIES SOLID STUD

ROD ENDS WITH FEMALE THREAD

STUD SIZE	PART NO. RIGHT HAND	PART NO. LEFT HAND	THREAD	A	B	C	K	STATIC LOAD RATING (NEWTONS) RADIAL
1/4	HIFSS250	HIFSS250LH	1/4 UNF	0.492	0.417	0.492	5/16	4,500
1/4	HIFSS250F	HIFSS250FLH	1/4 BSF	0.492	0.417	0.492	5/16	4,500
5/16	HIFSS312	HIFSS312LH	5/16 UNF	0.650	0.512	0.650	7/16	6,000
5/16	HIFSS312F	HIFSS312FLH	5/16 BSF	0.650	0.512	0.650	7/16	6,000
3/8	HIFSS375	HIFSS375LH	3/8 UNF	0.787	0.630	0.787	1/2	7,500
3/8	HIFSS375F	HIFSS375FLH	3/8 BSF	0.787	0.630	0.787	1/2	7,500
7/16	HIFSS437	HIFSS437LH	7/16 UNF	0.945	0.750	0.865	1/2	8,350
7/16	HIFSS437F	HIFSS437FLH	7/16 BSF	0.945	0.750	0.865	1/2	8,350
1/2	HIFSS500	HIFSS500LH	1/2 UNF	1.100	0.866	0.945	9/16	9,000
1/2	HIFSS500F	HIFSS500FLH	1/2 BSF	1.100	0.866	0.945	9/16	9,000

Note: The HMFSS - Series & HIFSS - Series, are our Anti-vibration Studded Rod End range that incorporates a one piece ball stud.

* Denotes HMFSS10/1 & HMFSS10/1LH has a tapered stud.



HMF-SS SERIES
MAINTENANCE FREE
ROD ENDS WITH FEMALE THREAD

Materials

Housing: Stainless Steel 303L.

Race: Polyurethane.

Ball: Stainless Steel 440C.

Lubricant: Uniflor Oil.

Specification

ELV & RoHS compliant.

**International
 Patented Design.**



METRIC

PART NO. RIGHT HAND	PART NO. LEFT HAND	BORE SIZE	THREAD	W	H	D	L1	L2	O	STATIC LOAD RATING (NEWTONS) RADIAL
HMF06SS	HMF06LHSS	6	M6X1.00	9	6.75	20	30	14.0	8.9	7,806
HMF08SS	HMF08LHSS	8	M8X1.25	12	9.00	24	36	17.0	10.3	13,652
HMF08CSS	HMF08CLHSS	8	M8X1.00	12	9.00	24	36	17.0	10.3	13,652
HMF10SS	HMF10LHSS	10	M10X1.50	14	10.50	28	43	21.0	12.9	18,690
HMF10CSS	HMF10CLHSS	10	M10X1.25	14	10.50	28	43	21.0	12.9	18,690
HMF10/2SS	HMF10/2LHSS	10	M10X1.75	14	10.50	28	51	25.5	12.9	18,690
HMF12SS	HMF12LHSS	12	M12X1.75	16	12.00	32	62	37.0	15.4	24,555
HMF12CSS	HMF12CLHSS	12	M12X1.25	16	12.00	32	62	37.0	15.4	24,555

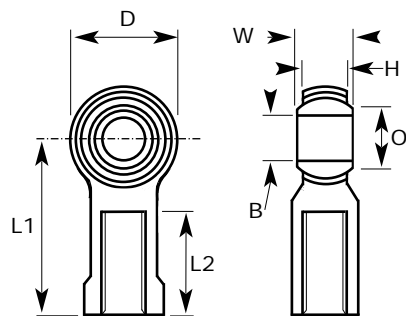
IMPERIAL

HIF-SS SERIES
MAINTENANCE FREE
ROD ENDS WITH FEMALE THREAD

PART NO. RIGHT HAND	PART NO. LEFT HAND	BORE SIZE	THREAD	W	H	D	L1	L2	O	STATIC LOAD RATING (NEWTONS) RADIAL
HIF250SS	HIF250LHSS	1/4	1/4 UNF	0.354	0.268	0.787	1.181	0.551	0.350	7,806
HIF250FSS	HIF250FLHSS	1/4	1/4 BSF	0.354	0.268	0.787	1.181	0.551	0.350	7,806
HIF250/1SS	HIF250/1LHSS	1/4	1/4 UNF	0.354	0.268	0.787	1.417	0.670	0.350	7,806
HIF250/1FSS	HIF250/1FLHSS	1/4	1/4 BSF	0.354	0.268	0.787	1.417	0.670	0.350	7,806
HIF312SS	HIF312LHSS	5/16	5/16 UNF	0.474	0.354	0.937	1.417	0.670	0.406	13,652
HIF312FSS	HIF312FLHSS	5/16	5/16 BSF	0.474	0.354	0.937	1.417	0.670	0.406	13,652
HIF375SS	HIF375LHSS	3/8	3/8 UNF	0.551	0.413	1.102	1.693	0.827	0.508	18,690
HIF375FSS	HIF375FLHSS	3/8	3/8 BSF	0.551	0.413	1.102	1.693	0.827	0.508	18,690
HIF437SS	HIF437LHSS	7/16	7/16 UNF	0.561	0.440	1.200	1.810	0.905	0.585	21,212
HIF437FSS	HIF437FLHSS	7/16	7/16 BSF	0.561	0.440	1.200	1.810	0.905	0.585	21,212
HIF500SS	HIF500LHSS	1/2	1/2 UNF	0.630	0.474	1.250	1.968	0.984	0.606	24,555
HIF500FSS	HIF500FLHSS	1/2	1/2 BSF	0.630	0.474	1.250	1.968	0.984	0.606	24,555

RMF - SERIES MAINTENANCE FREE

ROD ENDS WITH FEMALE THREAD



Materials

Housing: Steel 230M07PB, Zinc plated white & blue passivate (silver/clear).

Race: Nylon 66.

Ball: Bearing Steel 100Cr6, case hardened & electro-less Nickel plated.

Specification

ELV & RoHS compliant.

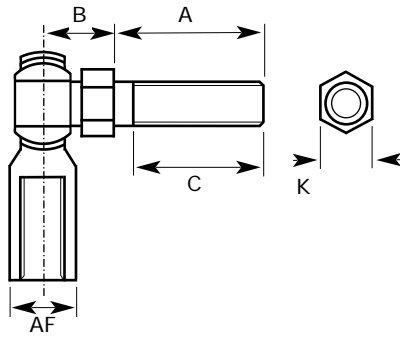


METRIC

PART NO. RIGHT HAND	PART NO. LEFT HAND	BORE SIZE	THREAD	W	H	D	L1	L2	O	STATIC LOAD RATING (NEWTONS) RADIAL
RMF6	RMF6LH	6	M6X1.00	6	4.0	21	30	15	8.00	7,500
RMF6/2	RMF6/2LH	6	M8X1.25	6	4.0	20.7	30	15	8.00	7,500
RMF8	RMF8LH	8	M8X1.25	8	6.0	24	36	15	10.25	12,850
RMF8C	RMF8CLH	8	M8X1.00	8	6.0	24	36	15	10.25	12,850
RMF8/1	RMF8/1LH	8	M6X1.00	8	6.0	24	36	15	10.25	12,850
RMF8/2	RMF8/2LH	8	M8X1.25	8	6.0	24	36	15	10.25	12,850
RMF8/3	RMF8/3LH	8	M10X1.50	8	6.0	24	36	15	10.25	12,850
RMF8/4	RMF8/4LH	8	M6X1.00	8	6.0	24	36	15	10.25	12,850
RMF8/6	RMF8/6LH	8	M10X1.50	8	6.0	24	56	35	10.25	12,850
RMF8/7	RMF8/7LH	8	M8X1.25	8	5.2	24	46	26	10.25	12,850
RMF10	RMF10LH	10	M10X1.50	9	7.0	29	43	19	13.23	17,125
RMF10C	RMF10CLH	10	M10X1.25	9	7.0	29	43	19	13.23	17,125
RMF10/4	RMF10/4LH	12	M10X1.50	9	7.0	29	43	19	13.23	17,125

RMFS - SERIES MAINTENANCE FREE

ROD ENDS WITH FEMALE THREAD



Materials

Housing: Steel 230M07PB, Zinc plated white & blue passivate (silver/clear).

Race: Nylon 66.

Ball: Bearing Steel 100Cr6, case hardened & electro-less Nickel plated.

Stud: 230M07PB, Zinc plated white & blue passivate (silver/clear).

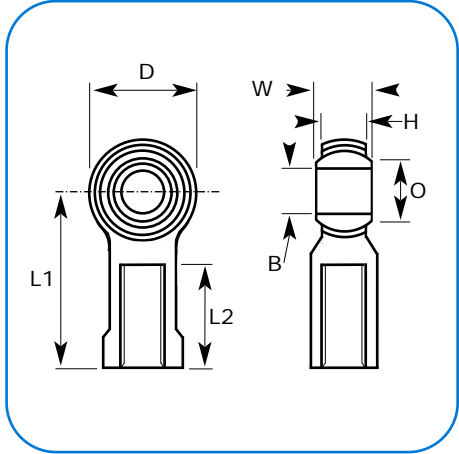
Specification

ELV & RoHS compliant.

METRIC

STUD SIZE	PART NO. RIGHT HAND	PART NO. LEFT HAND	THREAD	A	B	C	K	STATIC LOAD RATING (NEWTONS) RADIAL
M6	RMFS6	RMFS6LH	M6X1.00	12.5	11.0	8.00	9	1,200
M6	RMFS6/1	RMFS6/1LH	1/4 UNF	N/A	N/A	N/A	N/A	1,200
M6	RMFS6/2	RMFS6/2LH	M6X1.00	12.5	11.0	11.00	8	1,200
M8	RMFS8	RMFS8LH	M8X1.25	16.5	13.0	10.00	10	2,500
M8	RMFS8C	RMFS8CLH	M8X1.00	16.5	13.0	10.00	10	2,500
M8	RMFS8/1	RMFS8/1LH	M8X1.25	19.8	10.0	18.00	N/A	6,890
M8	RMFS8/2	RMFS8/2LH	M6X1.00	15.2	10.2	13.25	11	6,890
M8	RMFS8/4	RMFS8/4LH	M8X1.25	19.8	10.0	14.20	11	6,890
M8	RMFS8/5	RMFS8/5LH	M8X1.25	16.5	13.0	15.00	11	6,890
M10	RMFS10	RMFS10LH	M10X1.50	20.0	13.0	18.00	13	6,890
M10	RMFS10C	RMFS10CLH	M10X1.25	20.0	13.0	18.00	13	6,890
M10	RMFS10/2	RMFS10/2LH	M10X1.50	20.0	16.0	18.00	13	6,890
M10	RMFS10/3	RMFS10/3LH	M10X1.25	20.0	16.0	18.00	13	6,890

RMF-SS SERIES MAINTENANCE FREE ROD ENDS WITH FEMALE THREAD



METRIC

Materials

Housing: Stainless Steel 303L.
Race: Nylon 66.
Ball: Stainless Steel 440C.

Specification

ELV & RoHS compliant.

PART NO. RIGHT HAND	PART NO. LEFT HAND	BORE SIZE	THREAD	W	H	D	L1	L2	O	STATIC LOAD RATING (NEWTONS) RADIAL
RMF6SS	RMF6LHSS	6	M6X1.00	6	4.0	21	30	15	8.00	7,500
RMF6/2SS	RMF6/2LHSS	6	M8X1.25	6	4.0	20.7	30	15	8.00	7,500
RMF8SS	RMF8LHSS	8	M8X1.25	8	6.0	24	36	15	10.25	12,850
RMF8CSS	RMF8CLHSS	8	M8X1.00	8	6.0	24	36	15	10.25	12,850
RMF8/1SS	RMF8/1LHSS	8	M6X1.00	8	6.0	24	36	15	10.25	12,850
RMF8/2SS	RMF8/2LHSS	8	M8X1.25	8	6.0	24	36	15	10.25	12,850
RMF8/3SS	RMF8/3LHSS	8	M10X1.50	8	6.0	24	36	15	10.25	12,850
RMF8/4SS	RMF8/4LHSS	8	M6X1.00	8	6.0	24	36	15	10.25	12,850
RMF8/6SS	RMF8/6LHSS	8	M10X1.50	8	6.0	24	56	35	10.25	12,850
RMF8/7SS	RMF8/7LHSS	8	M8X1.25	8	5.2	24	46	26	10.25	12,850
RMF10SS	RMF10LHSS	10	M10X1.50	9	7.0	29	43	19	13.23	17,125
RMF10CSS	RMF10CLHSS	10	M10X1.25	9	7.0	29	43	19	13.23	17,125
RMF10/4SS	RMF10/4LHSS	12	M10X1.50	9	7.0	29	43	19	13.23	17,125

GIR - SERIES MAINTENANCE FREE

ROD ENDS WITH FEMALE THREAD

Materials

Housing: Forged Steel 080M46, Zinc plated white & blue passivate (silver/clear).

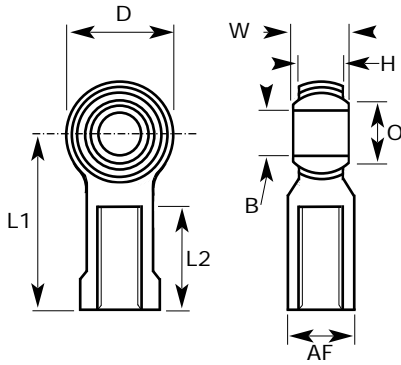
Inner Ring: Steel 080M46.

Ball: Bearing Steel 100Cr6, case hardened & electro-less Nickel plated.

Liner: PTFE fabric.

Specification

ELV & RoHS compliant.



METRIC

PART NO. RIGHT HAND	PART NO. LEFT HAND	BORE SIZE	THREAD	W	H	D	L1	L2	O	STATIC LOAD RATING (NEWTONS) RADIAL
GIR-6-UK	GIRL-6-UK	6	M6X1.00	6	4.4	21	30	11	9.30	3,600
GIR-8-UK	GIRL-8-UK	8	M8X1.25	8	6.0	24	36	15	10.40	5,850
GIR-10-UK	GIRL-10-UK	10	M10X1.50	9	7.0	29	43	20	12.90	8,650
GIR-12-UK	GIRL-12-UK	12	M12X1.75	10	8.0	34	50	23	15.40	11,400
GIR-15-UK	GIRL-15-UK	15	M14X2.00	12	10.0	40	61	30	16.90	17,600
GIR-17-UK	GIRL-17-UK	17	M16X2.00	14	11.0	46	67	34	19.30	22,400
GIR-20-UK	GIRL-20-UK	20	M20X1.50	16	13.0	53	77	40	24.50	31,500
GIR-25-UK	GIRL-25-UK	25	M24X2.00	20	17.0	64	94	48	29.60	51,000
GIR-30-UK	GIRL-30-UK	30	M30X2.00	22	19.0	73	110	56	35.50	65,500
GIR-35-UK-2RS	GIRL-35-UK-2RS	35	M36X3.00	25	21.0	82	125	60	42.10	112,000
GIR-40-UK-2RS	GIRL-40-UK-2RS	40	M39X3.00	28	23.0	92	142	65	48.00	140,000
GIR-45-UK-2RS	GIRL-45-UK-2RS	45	M42X3.00	32	27.0	102	145	65	54.60	180,000
GIR-50-UK-2RS	GIRL-50-UK-2RS	50	M45X3.00	35	30.0	112	160	68	61.00	220,000
GIR-60-UK-2RS	GIRL-60-UK-2RS	60	M52X3.00	44	38.0	135	175	70	75.20	345,000
GIR-70-UK-2RS	GIRL-70-UK-2RS	70	M56X4.00	49	42.0	160	200	80	86.90	440,000
GIR-80-UK-2RS	GIRL-80-UK-2RS	80	M64X4.00	55	47.0	180	230	85	100.30	570,000

AL - SERIES MAINTENANCE FREE ROD ENDS WITH FEMALE THREAD

Materials

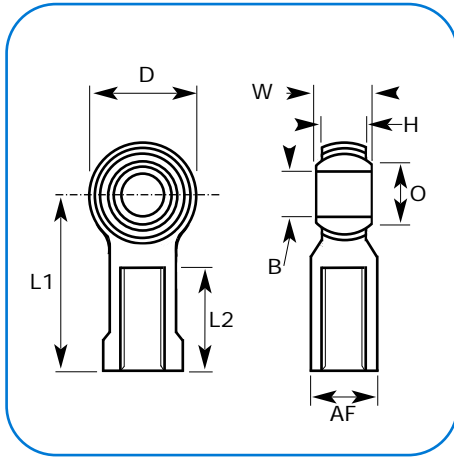
Housing: Aluminium A6026, black anodised.

Race: GR-Nylon, LV-3H.

Ball: Bearing Steel 100Cr6, case hardened & electro-less Nickel plated.

Specification

ELV & RoHS compliant.

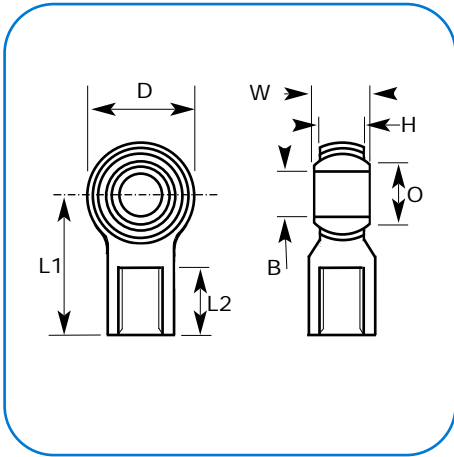


METRIC

PART NO. RIGHT HAND	PART NO. LEFT HAND	BORE SIZE	THREAD	W	H	D	L1	L2	O	A/F	STATIC LOAD RATING (NEWTONS) RADIAL
AL-SA-116	AL-SA-116LH	3	M3X0.50	6	4.50	12	13.5	6.0	5.2	6.0	3,040
AL-SA-176	AL-SA-176LH	3	M3X0.50	6	4.50	12	13.5	6.0	5.2	7.0	3,040
AL-SA-106	AL-SA-106LH	3	M3X0.50	6	4.50	12	18.5	7.0	5.2	6.5	3,040
AL-SA-032	AL-SA-032LH	3	M3X0.50	6	4.50	12	18.5	7.0	5.2	6.5	3,040
AL-SA-033	AL-SA-033LH	3	M3X0.50	6	4.50	12	21.0	9.0	5.2	6.5	3,040
AL-SA-127	AL-SA-127LH	3	M4X0.70	6	4.50	12	13.5	6.0	5.2	7.0	3,040
AL-SA-091	AL-SA-091LH	3	M4X0.70	6	4.50	12	13.5	6.0	5.2	6.0	3,040
AL-SA-090	AL-SA-090LH	3	M4X0.70	6	4.50	12	19.5	9.0	5.2	6.0	3,040
AL-SA-009	AL-SA-009LH	5	M4X0.70	8	6.00	16	27.0	14.0	9.0	9.0	5,340
AL-SA-178	AL-SA-178LH	5	M4X0.70	8	6.00	16	16.2	8.0	9.0	8.0	5,340
AL-SA-135	AL-SA-135LH	5	M4X0.70	8	6.00	16	18.0	6.0	9.0	9.0	5,340
AL-SA-111	AL-SA-111LH	5	M4X0.70	8	6.00	16	25.0	11.5	9.0	9.0	5,340
AL-SA-177	AL-SA-177LH	5	M4X0.70	8	6.00	16	27.0	17.5	9.0	9.0	5,340
AL-SA-010	AL-SA-010LH	5	M5X0.80	8	6.00	16	27.0	14.0	9.0	9.0	5,340
AL-SA-019	AL-SA-019LH	5	M5X0.80	8	6.00	16	18.0	6.5	9.0	9.0	5,340
AL-SA-201	AL-SA-201LH	5	M6X1.00	8	6.00	16	27.0	13.5	9.0	9.0	5,340
AL-SA-080	AL-SA-080LH	6	M6X1.00	9	6.75	18	30.0	13.5	9.3	11.0	7,720
AL-SA-081	AL-SA-081LH	6	M6X1.00	9	6.75	18	30.0	13.5	9.3	11.0	7,720
AL-SA-082	AL-SA-082LH	6	M8X1.25	12	9.00	22	36.0	16.5	10.4	14.0	7,720

Note: The above list shows our current production program of aluminium housing rod ends. Please enquire for any item not shown.

GS - SERIES
MAINTENANCE FREE
ROD ENDS WITH FEMALE THREAD



METRIC

Materials
Housing: Steel 230M07PB, Zinc plated white & blue passivate (silver/clear).
Race: GR-Nylon, LV-3H.
Ball: Bearing Steel 100Cr6, case hardened & electro-less Nickel plated.
Specification
 ELV & RoHS Compliant.

PART NO. RIGHT HAND	PART NO. LEFT HAND	BORE SIZE	THREAD	W	H	D	L1	L2	O	C'BORE DIA.	STATIC LOAD RATING (NEWTONS) RADIAL
GS-SA-518	GS-SA-519	5	M5X0.80	8.00	6.00	16.00	22.80	9.80	7.50	5.50	5,340
GS-SA-520	GS-SA-521	6	M6X1.00	9.00	6.75	18.00	25.70	12.70	9.30	6.50	7,720
GS-SA-522	GS-SA-523	8	M8X1.25	12.00	9.00	22.00	31.50	16.50	10.40	8.50	12,775
GS-SA-524	GS-SA-525	8	M8X1.00	12.00	9.00	22.00	31.50	16.50	10.40	8.50	12,775
GS-SA-229	GS-SA-526	8	M8X1.25	12.00	9.00	22.00	31.50	16.50	10.40	10.00	12,775
GS-SA-527	GS-SA-528	10	M10X1.50	14.00	10.50	26.00	37.20	18.20	12.90	10.50	16,960
GS-SA-529	GS-SA-530	10	M10X1.25	14.00	10.50	26.00	37.20	18.20	12.90	10.50	16,960
GS-SA-061	GS-SA-531	10	M10X1.50	14.00	10.50	26.00	30.00	14.00	12.90	10.50	16,960
GS-SA-532	GS-SA-533	12	M12X1.75	16.00	12.00	30.00	42.70	19.70	15.40	12.50	22,900
GS-SA-534	GS-SA-535	12	M12X1.25	16.00	12.00	30.00	42.70	19.70	15.40	12.50	22,900
GS-SA-536	GS-SA-537	14	M14X2.00	19.00	13.50	34.00	48.20	24.20	16.80	14.50	28,950
GS-SA-538	GS-SA-539	14	M14X1.50	19.00	13.50	34.00	48.20	24.20	16.80	14.50	28,950
GS-SA-540	GS-SA-541	16	M16X2.00	21.00	15.00	38.00	53.50	25.50	19.30	16.50	37,130
GS-SA-542	GS-SA-543	16	M16X1.50	21.00	15.50	38.00	53.50	25.50	19.30	16.50	37,130